



Air Conditioning & Heating

DSXC18

SPLIT SYSTEM AIR CONDITIONER

UP TO 18 SEER

COOLING CAPACITY:

34,000 - 56,000 BTU/H



Contents

| | |
|-----------------------------|----|
| Nomenclature | 2 |
| Product Specifications..... | 3 |
| Expanded Cooling Data | 4 |
| AHRI Ratings | 16 |
| Dimensions | 22 |
| Wiring Diagram | 23 |
| Accessories..... | 24 |

Standard Features

- R-410A chlorine-free refrigerant
- Two-Stage Copeland® UltraTech™ scroll compressor
- High-density foam compressor sound blanket
- ComfortNet™ Communications System compatible
- Expanded ComfortAlert™ diagnostics built in
- Set-up capable with 2 low-voltage wires to outdoor unit
- Diagnostic indicator lights and storage of 6 fault codes
- Color-coded terminal strip for non-communicating set-up
- High- and low-pressure switches
- Factory-installed filter drier
- Coil and ambient temperature sensors
- Two-speed, super-quiet condenser fan motor
- Sweat connection service valves with easy access to gauge ports
- AHRI Certified; ETL Listed

Cabinet Features

- Goodman® brand sound control top design
- Wire fan discharge grille
- Steel louver coil guard
- Baked-on powder-paint finish with 500-hour salt-spray approval
- Top and side maintenance access
- Single-panel access to controls with space provided for field-installed accessories
- When properly anchored, meets the 2010 Florida Building Code unit integrity requirements for hurricane-type winds (Anchor bracket kits available.)



* Complete warranty details available from your local dealer or at www.goodmanmfg.com. To receive the Lifetime Compressor Limited Warranty (good for as long as you own your home), 10-Year Unit Replacement Limited Warranty and 10-Year Parts Limited Warranty, online registration must be completed within 60 days of installation. Online registration is not required in California or Québec.



| | D | S | X | C | 18 | 036 | 1 | A | A | |
|--|---|---|---|---|-----|-------|----|----|---|--|
| | 1 | 2 | 3 | 4 | 5,6 | 7,8,9 | 10 | 11 | 12 | |
| Brand D Goodman® Brand | | | | | | | | | Engineering * Minor Revision | |
| Product Category S Split System | | | | | | | | | Engineering * Major Revision | |
| Unit Type X Condenser R-410A Z Heat Pump R-410A | | | | | | | | | Electrical | |
| Communication Feature C ComfortNet 4-wire communications ready | | | | | | | | | 1 208/230 V, 1 Phase, 60 Hz 2 220/240 V, 1 Phase, 50 Hz 3 208/230 V, 3 Phase, 60 Hz 4 460 V, 3 Phase, 60 Hz 5 380/415 V, 3 Phase, 50 Hz | |
| Efficiency 16 16 SEER 18 18 SEER | | | | | | | | | Nominal Capacity | |
| | | | | | | | | | 036 3 Tons 060 5 Tons 048 4 Tons | |

* Neither used for order entry or inventory management.



| | DSXC18 0361A | DSXC18 0481A | DSXC18 0601A |
|--|-----------------|-----------------|-----------------|
| COOLING CAPACITY | | | |
| Nominal Cooling (BTU/h) | 35,000 | 47,000 | 57,000 |
| Decibels | 71 | 72 | 74 |
| COMPRESSOR | | | |
| RLA | 15.3 | 21.2 | 27.1 |
| LRA | 83 | 104 | 152.9 |
| CONDENSER FAN MOTOR | | | |
| Horsepower (RPM) | ½ | ½ | ½ |
| FLA | 2.80 | 2.80 | 2.80 |
| REFRIGERATION SYSTEM | | | |
| Refrigerant Line Size ¹ | | | |
| Liquid Line Size ("O.D.) | ⅜" | ⅜" | ⅜" |
| Suction Line Size ("O.D.) | ⅞" | 1⅞" | 1⅞" |
| Refrigerant Connection Size | | | |
| Liquid Valve Size ("O.D.) | ⅜" | ⅜" | ⅜" |
| Suction Valve Size ("O.D.) | ⅞" | ⅞" | ⅞" |
| Valve Connection Type | Sweat | Sweat | Sweat |
| Refrigerant Charge | 184 | 259 | 259 |
| Expansion Device | TXV | TXV | TXV |
| Superheat at Service Valve | 7-9°F | 7-9°F | 7-9°F |
| Subcooling at Service Valve | 5-7°F | 5-7°F | 5-7°F |
| ELECTRICAL DATA | | | |
| Voltage-Phase-Hz | 208/230-1-60 | 208/230-1-60 | 208/230-1-60 |
| Minimum Circuit Ampacity ¹ | 21.9 | 29.3 | 36.7 |
| Max. Overcurrent Protection ² | 35 | 50 | 60 |
| Min / Max Volts | 197 / 253 | 197 / 253 | 197 / 253 |
| Electrical Conduit Size | ½" or ¾" | ½" or ¾" | ½" or ¾" |
| EQUIPMENT WEIGHT (LBS) | 206 | 268 | 274 |
| SHIP WEIGHT (LBS) | 228 | 290 | 296 |

¹ Wire size should be determined in accordance with National Electrical Codes; extensive wire runs will require larger wire sizes

² Must use time-delay fuses or HACR-type circuit breakers of the same size as noted.

NOTES

- Always check the S&R plate for electrical data on the unit being installed.
- Installer will need to supply ⅞" to 1⅞" adapters for suction line connections.
- Unit is charged with refrigerant for 15' of ⅜" liquid line. System charge must be adjusted per Installation Instructions Final Charge Procedure.
- Installation of these units that require a TXV Kit to be installed on the indoor coil.
- PLEASE NOTE: the specified TXV is determined by the outdoor unit, not the indoor coil.

| IDB | AIRFLOW | OUTDOOR AMBIENT TEMPERATURE | | | | | | | | | | | | | | | | | | | | | | | |
|-------|---------|-----------------------------|------|------|------|------|------|------|------|------|------|------|------|------|------|------|------|-------|------|------|------|-------|------|------|----|
| | | 65°F | | | | 75°F | | | | 85°F | | | | 95°F | | | | 105°F | | | | 115°F | | | |
| | | 59 | 63 | 67 | 71 | 59 | 63 | 67 | 71 | 59 | 63 | 67 | 71 | 59 | 63 | 67 | 71 | 59 | 63 | 67 | 71 | 59 | 63 | 67 | 71 |
| 70 | MBh | 25.3 | 26.2 | 28.8 | - | 24.7 | 25.6 | 28.1 | - | 24.1 | 25.0 | 27.4 | - | 23.6 | 24.4 | 26.8 | - | 22.4 | 23.2 | 25.4 | - | 20.7 | 21.5 | 23.5 | - |
| | S/T | 0.76 | 0.63 | 0.44 | - | 0.79 | 0.66 | 0.45 | - | 0.81 | 0.67 | 0.47 | - | 0.83 | 0.70 | 0.48 | - | 0.86 | 0.72 | 0.50 | - | 0.87 | 0.73 | 0.50 | - |
| | ΔT | 19 | 16 | 12 | - | 19 | 17 | 13 | - | 19 | 17 | 13 | - | 19 | 17 | 13 | - | 19 | 17 | 13 | - | 18 | 15 | 12 | - |
| | kW | 1.30 | 1.33 | 1.38 | - | 1.41 | 1.45 | 1.50 | - | 1.51 | 1.55 | 1.60 | - | 1.60 | 1.63 | 1.69 | - | 1.67 | 1.71 | 1.77 | - | 1.73 | 1.77 | 1.84 | - |
| | Amps | 5.3 | 5.5 | 5.7 | - | 5.8 | 5.9 | 6.1 | - | 6.3 | 6.5 | 6.7 | - | 6.7 | 6.9 | 7.1 | - | 7.2 | 7.4 | 7.6 | - | 7.6 | 7.8 | 8.1 | - |
| | HI PR | 210 | 226 | 229 | - | 237 | 255 | 259 | - | 270 | 290 | 295 | - | 308 | 331 | 335 | - | 332 | 357 | 362 | - | 394 | 423 | 429 | - |
| | Lo PR | 124 | 128 | 140 | - | 128 | 132 | 144 | - | 132 | 136 | 149 | - | 135 | 140 | 153 | - | 138 | 143 | 156 | - | 142 | 146 | 159 | - |
| | MBh | 24.6 | 25.5 | 27.9 | - | 24.0 | 24.9 | 27.3 | - | 23.4 | 24.3 | 26.6 | - | 22.9 | 23.7 | 26.0 | - | 21.7 | 22.5 | 24.7 | - | 20.1 | 20.9 | 22.9 | - |
| | S/T | 0.72 | 0.60 | 0.42 | - | 0.75 | 0.63 | 0.43 | - | 0.77 | 0.64 | 0.44 | - | 0.79 | 0.66 | 0.46 | - | 0.82 | 0.69 | 0.48 | - | 0.83 | 0.69 | 0.48 | - |
| | ΔT | 20 | 17 | 13 | - | 20 | 17 | 13 | - | 20 | 17 | 13 | - | 20 | 18 | 13 | - | 20 | 17 | 13 | - | 19 | 16 | 12 | - |
| kW | 1.29 | 1.32 | 1.37 | - | 1.40 | 1.43 | 1.48 | - | 1.50 | 1.53 | 1.59 | - | 1.58 | 1.62 | 1.68 | - | 1.65 | 1.69 | 1.75 | - | 1.72 | 1.76 | 1.82 | - | |
| Amps | 5.3 | 5.4 | 5.6 | - | 5.7 | 5.9 | 6.1 | - | 6.2 | 6.4 | 6.6 | - | 6.7 | 6.8 | 7.1 | - | 7.1 | 7.3 | 7.5 | - | 7.6 | 7.7 | 8.0 | - | |
| HI PR | 208 | 224 | 227 | - | 235 | 253 | 256 | - | 267 | 288 | 292 | - | 305 | 327 | 332 | - | 329 | 354 | 359 | - | 390 | 419 | 425 | - | |
| Lo PR | 123 | 127 | 138 | - | 126 | 130 | 142 | - | 131 | 135 | 147 | - | 134 | 138 | 151 | - | 137 | 141 | 154 | - | 140 | 145 | 158 | - | |
| MBh | 22.7 | 23.5 | 25.8 | - | 22.2 | 23.0 | 25.2 | - | 21.6 | 22.4 | 24.6 | - | 21.1 | 21.9 | 24.0 | - | 20.1 | 20.8 | 22.8 | - | 18.6 | 19.3 | 21.1 | - | |
| S/T | 0.70 | 0.58 | 0.40 | - | 0.72 | 0.60 | 0.42 | - | 0.74 | 0.62 | 0.43 | - | 0.77 | 0.64 | 0.44 | - | 0.79 | 0.66 | 0.46 | - | 0.80 | 0.67 | 0.46 | - | |
| ΔT | 20 | 18 | 13 | - | 20 | 18 | 13 | - | 20 | 18 | 13 | - | 21 | 18 | 14 | - | 21 | 18 | 13 | - | 19 | 16 | 12 | - | |
| kW | 1.28 | 1.31 | 1.36 | - | 1.39 | 1.42 | 1.47 | - | 1.48 | 1.52 | 1.57 | - | 1.57 | 1.60 | 1.66 | - | 1.64 | 1.68 | 1.74 | - | 1.70 | 1.74 | 1.80 | - | |
| Amps | 5.2 | 5.4 | 5.5 | - | 5.7 | 5.8 | 6.0 | - | 6.2 | 6.3 | 6.5 | - | 6.6 | 6.8 | 7.0 | - | 7.1 | 7.2 | 7.5 | - | 7.5 | 7.7 | 7.9 | - | |
| HI PR | 206 | 221 | 225 | - | 233 | 250 | 254 | - | 265 | 285 | 289 | - | 302 | 324 | 329 | - | 326 | 350 | 355 | - | 386 | 415 | 421 | - | |
| Lo PR | 122 | 125 | 137 | - | 125 | 129 | 141 | - | 129 | 133 | 146 | - | 133 | 137 | 150 | - | 135 | 140 | 153 | - | 139 | 143 | 156 | - | |

| | | | | | | | | | | | | | | | | | | | | | | | | | | | | | |
|-------|-------|------|------|------|------|------|------|------|------|------|------|------|------|------|------|------|------|------|------|------|------|------|------|------|------|------|------|------|------|
| 75 | MBh | 25.8 | 26.5 | 28.7 | 30.8 | 25.2 | 25.9 | 28.0 | 30.1 | 24.6 | 25.3 | 27.4 | 29.4 | 24.0 | 24.5 | 26.6 | 28.5 | 23.3 | 23.9 | 25.9 | 27.8 | 22.8 | 23.4 | 25.4 | 27.2 | 21.1 | 21.7 | 23.5 | 25.2 |
| | S/T | 0.86 | 0.77 | 0.58 | 0.38 | 0.89 | 0.80 | 0.60 | 0.39 | 0.92 | 0.82 | 0.62 | 0.40 | 0.95 | 0.85 | 0.64 | 0.41 | 0.90 | 0.81 | 0.61 | 0.39 | 0.94 | 0.84 | 0.63 | 0.41 | 0.94 | 0.84 | 0.64 | 0.41 |
| | ΔT | 22 | 20 | 17 | 11 | 22 | 20 | 17 | 12 | 22 | 20 | 17 | 12 | 22 | 21 | 18 | 12 | 23 | 21 | 18 | 12 | 23 | 21 | 17 | 12 | 22 | 20 | 16 | 11 |
| | kW | 1.30 | 1.33 | 1.38 | 1.43 | 1.41 | 1.45 | 1.50 | 1.55 | 1.51 | 1.55 | 1.60 | 1.66 | 1.60 | 1.63 | 1.69 | 1.75 | 1.58 | 1.62 | 1.68 | 1.74 | 1.65 | 1.69 | 1.75 | 1.82 | 1.72 | 1.76 | 1.82 | 1.88 |
| | Amps | 5.3 | 5.5 | 5.7 | 5.9 | 5.8 | 5.9 | 6.1 | 6.4 | 6.3 | 6.5 | 6.7 | 6.9 | 6.7 | 6.9 | 7.1 | 7.4 | 6.7 | 6.8 | 7.1 | 7.4 | 7.1 | 7.3 | 7.5 | 7.8 | 7.6 | 7.7 | 8.0 | 8.3 |
| | HI PR | 210 | 226 | 229 | 234 | 237 | 255 | 259 | 265 | 270 | 290 | 295 | 301 | 308 | 331 | 335 | 343 | 308 | 331 | 335 | 343 | 332 | 357 | 362 | 370 | 394 | 423 | 429 | 439 |
| | Lo PR | 124 | 128 | 140 | 149 | 128 | 132 | 144 | 153 | 132 | 136 | 149 | 158 | 135 | 140 | 153 | 162 | 135 | 140 | 153 | 161 | 138 | 143 | 156 | 166 | 142 | 146 | 159 | 170 |
| | MBh | 25.0 | 25.7 | 27.9 | 29.9 | 24.4 | 25.1 | 27.2 | 29.2 | 23.8 | 24.5 | 26.6 | 28.5 | 23.3 | 23.9 | 25.9 | 27.8 | 22.1 | 22.8 | 24.6 | 26.4 | 20.5 | 21.1 | 22.8 | 24.5 | 18.9 | 19.5 | 21.1 | 22.6 |
| | S/T | 0.82 | 0.74 | 0.56 | 0.36 | 0.85 | 0.76 | 0.58 | 0.37 | 0.87 | 0.78 | 0.59 | 0.38 | 0.90 | 0.81 | 0.61 | 0.39 | 0.94 | 0.84 | 0.63 | 0.41 | 0.94 | 0.84 | 0.64 | 0.41 | 0.91 | 0.81 | 0.62 | 0.40 |
| | ΔT | 23 | 21 | 17 | 12 | 23 | 21 | 17 | 12 | 23 | 21 | 18 | 12 | 23 | 21 | 18 | 12 | 23 | 21 | 17 | 12 | 22 | 20 | 16 | 11 | 22 | 20 | 17 | 11 |
| kW | 1.29 | 1.32 | 1.37 | 1.42 | 1.40 | 1.43 | 1.48 | 1.54 | 1.50 | 1.53 | 1.59 | 1.64 | 1.58 | 1.62 | 1.68 | 1.74 | 1.65 | 1.69 | 1.75 | 1.82 | 1.72 | 1.76 | 1.82 | 1.88 | 1.70 | 1.74 | 1.80 | 1.87 | |
| Amps | 5.3 | 5.4 | 5.6 | 5.8 | 5.7 | 5.9 | 6.1 | 6.3 | 6.2 | 6.4 | 6.6 | 6.9 | 6.7 | 6.8 | 7.1 | 7.4 | 7.1 | 7.3 | 7.5 | 7.8 | 7.6 | 7.7 | 8.0 | 8.3 | 7.5 | 7.7 | 7.9 | 8.2 | |
| HI PR | 208 | 224 | 227 | 232 | 235 | 253 | 256 | 262 | 267 | 288 | 292 | 298 | 305 | 327 | 332 | 339 | 329 | 354 | 359 | 367 | 390 | 419 | 425 | 435 | 390 | 419 | 425 | 430 | |
| Lo PR | 123 | 127 | 138 | 147 | 126 | 130 | 142 | 152 | 131 | 135 | 147 | 157 | 134 | 138 | 151 | 161 | 137 | 141 | 154 | 164 | 140 | 145 | 158 | 168 | 139 | 143 | 156 | 166 | |

IDB = Entering Indoor Dry Bulb Temperature
 High and low pressures are measured at the liquid and suction service valves.
 Shaded area reflects ACCA (TVA) conditions
 kW = Total system power
 Amps = outdoor unit amps (comp.+fan)

| IDB | AIRFLOW | OUTDOOR AMBIENT TEMPERATURE | | | | | | | | | | | | ENTERING INDOOR WET BULB TEMPERATURE | | | | | | | | | | | |
|-------|---------|-----------------------------|------|------|------|------|------|------|------|------|------|------|------|--------------------------------------|------|------|------|-------|------|------|------|-------|------|------|----|
| | | 65°F | | | | 75°F | | | | 85°F | | | | 95°F | | | | 105°F | | | | 115°F | | | |
| | | 59 | 63 | 67 | 71 | 59 | 63 | 67 | 71 | 59 | 63 | 67 | 71 | 59 | 63 | 67 | 71 | 59 | 63 | 67 | 71 | 59 | 63 | 67 | 71 |
| 70 | MBh | 36.7 | 38.1 | 41.7 | - | 35.9 | 37.2 | 40.7 | - | 35.0 | 36.3 | 39.8 | - | 34.2 | 35.4 | 38.8 | - | 32.4 | 33.6 | 36.8 | - | 30.1 | 31.2 | 34.1 | - |
| | S/T | 0.74 | 0.62 | 0.43 | - | 0.76 | 0.64 | 0.44 | - | 0.78 | 0.65 | 0.45 | - | 0.81 | 0.68 | 0.47 | - | 0.84 | 0.70 | 0.49 | - | 0.85 | 0.71 | 0.49 | - |
| | ΔT | 19 | 16 | 12 | - | 19 | 16 | 12 | - | 19 | 16 | 12 | - | 19 | 17 | 13 | - | 19 | 16 | 12 | - | 18 | 15 | 12 | - |
| | kW | 2.09 | 2.14 | 2.21 | - | 2.26 | 2.31 | 2.39 | - | 2.41 | 2.47 | 2.56 | - | 2.55 | 2.61 | 2.70 | - | 2.66 | 2.73 | 2.82 | - | 2.76 | 2.83 | 2.93 | - |
| | Amps | 8.2 | 8.4 | 8.7 | - | 8.9 | 9.1 | 9.4 | - | 9.7 | 9.9 | 10.3 | - | 10.4 | 10.7 | 11.0 | - | 11.1 | 11.4 | 11.8 | - | 11.8 | 12.1 | 12.5 | - |
| | HI PR | 220 | 237 | 240 | - | 249 | 268 | 271 | - | 283 | 304 | 309 | - | 322 | 347 | 352 | - | 348 | 374 | 380 | - | 413 | 444 | 450 | - |
| | Lo PR | 118 | 122 | 133 | - | 122 | 126 | 137 | - | 126 | 130 | 142 | - | 129 | 134 | 146 | - | 132 | 136 | 149 | - | 135 | 140 | 152 | - |
| | MBh | 35.6 | 36.9 | 40.5 | - | 34.8 | 36.1 | 39.5 | - | 34.0 | 35.2 | 38.6 | - | 33.2 | 34.4 | 37.7 | - | 31.5 | 32.7 | 35.8 | - | 29.2 | 30.2 | 33.1 | - |
| | S/T | 0.70 | 0.59 | 0.41 | - | 0.73 | 0.61 | 0.42 | - | 0.75 | 0.62 | 0.43 | - | 0.77 | 0.64 | 0.45 | - | 0.80 | 0.67 | 0.46 | - | 0.81 | 0.67 | 0.47 | - |
| | ΔT | 20 | 17 | 13 | - | 20 | 17 | 13 | - | 20 | 17 | 13 | - | 20 | 17 | 13 | - | 20 | 17 | 13 | - | 18 | 16 | 12 | - |
| kW | 2.07 | 2.12 | 2.19 | - | 2.24 | 2.29 | 2.37 | - | 2.39 | 2.45 | 2.53 | - | 2.53 | 2.59 | 2.68 | - | 2.64 | 2.70 | 2.80 | - | 2.74 | 2.80 | 2.90 | - | |
| Amps | 8.1 | 8.3 | 8.6 | - | 8.8 | 9.0 | 9.3 | - | 9.6 | 9.9 | 10.2 | - | 10.3 | 10.6 | 10.9 | - | 11.0 | 11.3 | 11.7 | - | 11.7 | 12.0 | 12.4 | - | |
| HI PR | 218 | 234 | 238 | - | 246 | 265 | 269 | - | 280 | 301 | 306 | - | 319 | 343 | 348 | - | 345 | 371 | 376 | - | 409 | 439 | 446 | - | |
| Lo PR | 117 | 121 | 132 | - | 121 | 125 | 136 | - | 125 | 129 | 141 | - | 128 | 132 | 144 | - | 131 | 135 | 147 | - | 134 | 138 | 151 | - | |
| MBh | 32.9 | 34.1 | 37.4 | - | 32.1 | 33.3 | 36.5 | - | 31.4 | 32.5 | 35.6 | - | 30.6 | 31.7 | 34.8 | - | 29.1 | 30.1 | 33.0 | - | 26.9 | 27.9 | 30.6 | - | |
| S/T | 0.68 | 0.57 | 0.39 | - | 0.70 | 0.59 | 0.41 | - | 0.72 | 0.60 | 0.42 | - | 0.74 | 0.62 | 0.43 | - | 0.77 | 0.65 | 0.45 | - | 0.78 | 0.65 | 0.45 | - | |
| ΔT | 20 | 17 | 13 | - | 20 | 18 | 13 | - | 20 | 18 | 13 | - | 20 | 18 | 13 | - | 20 | 17 | 13 | - | 19 | 16 | 12 | - | |
| kW | 2.05 | 2.10 | 2.17 | - | 2.22 | 2.27 | 2.35 | - | 2.37 | 2.43 | 2.51 | - | 2.50 | 2.56 | 2.65 | - | 2.62 | 2.68 | 2.77 | - | 2.71 | 2.78 | 2.88 | - | |
| Amps | 8.1 | 8.3 | 8.5 | - | 8.7 | 9.0 | 9.3 | - | 9.5 | 9.8 | 10.1 | - | 10.2 | 10.5 | 10.8 | - | 10.9 | 11.2 | 11.5 | - | 11.6 | 11.8 | 12.3 | - | |
| HI PR | 216 | 232 | 235 | - | 244 | 262 | 266 | - | 278 | 298 | 303 | - | 316 | 340 | 345 | - | 341 | 367 | 372 | - | 405 | 435 | 441 | - | |
| Lo PR | 116 | 120 | 131 | - | 120 | 123 | 135 | - | 124 | 127 | 139 | - | 127 | 131 | 143 | - | 129 | 134 | 146 | - | 133 | 137 | 149 | - | |

| | | | | | | | | | | | | | | | | | | | | | | | | | |
|-------|-------|------|------|------|------|------|------|------|------|------|------|------|------|------|------|------|------|------|------|------|------|------|------|------|------|
| 75 | MBh | 37.3 | 38.4 | 41.6 | 44.7 | 36.5 | 37.5 | 40.6 | 43.6 | 35.6 | 36.7 | 39.7 | 42.6 | 34.7 | 35.8 | 38.7 | 41.5 | 33.0 | 34.0 | 36.8 | 39.5 | 30.6 | 31.5 | 34.1 | 36.6 |
| | S/T | 0.84 | 0.75 | 0.57 | 0.37 | 0.87 | 0.78 | 0.59 | 0.38 | 0.89 | 0.80 | 0.60 | 0.39 | 0.92 | 0.82 | 0.62 | 0.40 | 0.95 | 0.85 | 0.65 | 0.42 | 0.96 | 0.86 | 0.65 | 0.42 |
| | ΔT | 22 | 20 | 16 | 11 | 22 | 20 | 17 | 11 | 22 | 20 | 17 | 11 | 22 | 20 | 17 | 12 | 22 | 20 | 16 | 11 | 20 | 19 | 15 | 11 |
| | kW | 2.09 | 2.14 | 2.21 | 2.28 | 2.26 | 2.31 | 2.39 | 2.48 | 2.41 | 2.47 | 2.56 | 2.65 | 2.55 | 2.61 | 2.70 | 2.80 | 2.66 | 2.73 | 2.82 | 2.92 | 2.76 | 2.83 | 2.93 | 3.03 |
| | Amps | 8.2 | 8.4 | 8.7 | 9.0 | 8.9 | 9.1 | 9.4 | 9.8 | 9.7 | 9.9 | 10.3 | 10.7 | 10.4 | 10.7 | 11.0 | 11.5 | 11.1 | 11.4 | 11.8 | 12.2 | 11.8 | 12.1 | 12.5 | 13.0 |
| | HI PR | 220 | 237 | 240 | 245 | 249 | 268 | 271 | 277 | 283 | 304 | 309 | 316 | 322 | 347 | 352 | 359 | 348 | 374 | 380 | 388 | 413 | 444 | 450 | 460 |
| | Lo PR | 118 | 122 | 133 | 142 | 122 | 126 | 137 | 146 | 126 | 130 | 142 | 151 | 129 | 134 | 146 | 155 | 132 | 136 | 149 | 158 | 135 | 140 | 152 | 162 |
| | MBh | 36.3 | 37.3 | 40.4 | 43.4 | 35.4 | 36.5 | 39.5 | 42.4 | 34.6 | 35.6 | 38.5 | 41.3 | 33.7 | 34.7 | 37.6 | 40.3 | 32.0 | 33.0 | 35.7 | 38.3 | 29.7 | 30.6 | 33.1 | 35.5 |
| | S/T | 0.80 | 0.72 | 0.54 | 0.35 | 0.83 | 0.74 | 0.56 | 0.36 | 0.85 | 0.76 | 0.58 | 0.37 | 0.88 | 0.78 | 0.59 | 0.38 | 0.91 | 0.81 | 0.62 | 0.40 | 0.92 | 0.82 | 0.62 | 0.40 |
| | ΔT | 23 | 21 | 17 | 12 | 23 | 21 | 17 | 12 | 23 | 21 | 17 | 12 | 23 | 21 | 17 | 12 | 23 | 21 | 17 | 12 | 21 | 20 | 16 | 11 |
| kW | 2.07 | 2.12 | 2.19 | 2.26 | 2.24 | 2.29 | 2.37 | 2.45 | 2.39 | 2.45 | 2.53 | 2.62 | 2.53 | 2.59 | 2.68 | 2.77 | 2.64 | 2.70 | 2.80 | 2.90 | 2.74 | 2.80 | 2.90 | 3.01 | |
| Amps | 8.1 | 8.3 | 8.6 | 9.0 | 8.8 | 9.0 | 9.3 | 9.7 | 9.6 | 9.9 | 10.2 | 10.6 | 10.3 | 10.6 | 10.9 | 11.4 | 11.0 | 11.3 | 11.7 | 12.1 | 11.7 | 12.0 | 12.4 | 12.9 | |
| HI PR | 218 | 234 | 238 | 243 | 246 | 265 | 269 | 275 | 280 | 301 | 306 | 312 | 319 | 343 | 348 | 356 | 345 | 371 | 376 | 384 | 409 | 439 | 446 | 455 | |
| Lo PR | 117 | 121 | 132 | 141 | 121 | 125 | 136 | 145 | 125 | 129 | 141 | 150 | 128 | 132 | 144 | 154 | 131 | 135 | 147 | 157 | 134 | 138 | 151 | 161 | |
| MBh | 33.5 | 34.5 | 37.3 | 40.0 | 32.7 | 33.6 | 36.4 | 39.1 | 31.9 | 32.8 | 35.6 | 38.2 | 31.1 | 32.0 | 34.7 | 37.2 | 29.6 | 30.4 | 33.0 | 35.4 | 27.4 | 28.2 | 30.5 | 32.8 | |
| S/T | 0.77 | 0.69 | 0.52 | 0.34 | 0.80 | 0.71 | 0.54 | 0.35 | 0.82 | 0.73 | 0.55 | 0.36 | 0.85 | 0.76 | 0.57 | 0.37 | 0.88 | 0.79 | 0.59 | 0.38 | 0.89 | 0.79 | 0.60 | 0.39 | |
| ΔT | 23 | 21 | 17 | 12 | 23 | 22 | 18 | 12 | 23 | 22 | 18 | 12 | 24 | 22 | 18 | 12 | 24 | 22 | 18 | 12 | 22 | 20 | 16 | 11 | |
| kW | 2.05 | 2.10 | 2.17 | 2.24 | 2.22 | 2.27 | 2.35 | 2.43 | 2.37 | 2.43 | 2.51 | 2.60 | 2.50 | 2.56 | 2.65 | 2.75 | 2.62 | 2.68 | 2.77 | 2.87 | 2.71 | 2.78 | 2.88 | 2.98 | |
| Amps | 8.1 | 8.3 | 8.5 | 8.9 | 8.7 | 9.0 | 9.3 | 9.6 | 9.5 | 9.8 | 10.1 | 10.5 | 10.2 | 10.5 | 10.8 | 11.2 | 10.9 | 11.2 | 11.5 | 12.0 | 11.6 | 11.8 | 12.3 | 12.7 | |
| HI PR | 216 | 232 | 235 | 241 | 244 | 262 | 266 | 272 | 278 | 298 | 303 | 309 | 316 | 340 | 345 | 352 | 341 | 367 | 372 | 380 | 405 | 435 | 441 | 451 | |
| Lo PR | 116 | 120 | 131 | 139 | 120 | 123 | 135 | 143 | 124 | 127 | 139 | 148 | 127 | 131 | 143 | 152 | 129 | 134 | 146 | 155 | 133 | 137 | 149 | 159 | |

IDB = Entering Indoor Dry Bulb Temperature

High and low pressures are measured at the liquid and suction service valves.

Shaded area reflects ACCA (TVA) conditions

kW = Total system power
Amps = outdoor unit amps (comp.+fan)

| | | OUTDOOR AMBIENT TEMPERATURE | | | | | | | | | ENTERING INDOOR WET BULB TEMPERATURE | | | | | | | | | | |
|-------|---------|-----------------------------|------|------|------|------|------|------|------|------|--------------------------------------|------|------|-------|------|------|-------|------|------|------|------|
| | | 65°F | | | 75°F | | | 85°F | | | 95°F | | | 105°F | | | 115°F | | | | |
| IDB | AIRFLOW | 59 | 63 | 67 | 71 | 59 | 63 | 67 | 71 | 59 | 63 | 67 | 71 | 59 | 63 | 67 | 71 | 59 | 63 | 67 | 71 |
| 80 | MBh | 38.0 | 38.8 | 41.5 | 44.4 | 37.1 | 37.9 | 40.5 | 43.3 | 36.2 | 37.0 | 39.6 | 42.3 | 35.4 | 36.1 | 38.6 | 41.3 | 33.6 | 34.3 | 36.7 | 39.2 |
| | S/T | 0.92 | 0.86 | 0.70 | 0.52 | 0.95 | 0.89 | 0.73 | 0.54 | 1.00 | 0.92 | 0.75 | 0.56 | 1.00 | 0.95 | 0.77 | 0.58 | 1.00 | 1.00 | 0.80 | 0.60 |
| | ΔT | 24 | 23 | 20 | 16 | 24 | 23 | 20 | 16 | 25 | 23 | 20 | 16 | 24 | 24 | 21 | 16 | 26 | 24 | 20 | 16 |
| | kW | 2.09 | 2.14 | 2.21 | 2.28 | 2.26 | 2.31 | 2.39 | 2.48 | 2.41 | 2.47 | 2.56 | 2.65 | 2.55 | 2.61 | 2.70 | 2.80 | 2.66 | 2.73 | 2.82 | 2.92 |
| | Amps | 8.2 | 8.4 | 8.7 | 9.0 | 8.9 | 9.1 | 9.4 | 9.8 | 9.7 | 9.9 | 10.3 | 10.7 | 10.4 | 10.7 | 11.0 | 11.5 | 11.1 | 11.4 | 11.8 | 12.2 |
| | HI PR | 220 | 237 | 240 | 245 | 249 | 268 | 271 | 277 | 283 | 304 | 309 | 316 | 322 | 347 | 352 | 359 | 348 | 374 | 380 | 388 |
| Lo PR | 118 | 122 | 133 | 142 | 122 | 126 | 137 | 146 | 126 | 130 | 142 | 151 | 129 | 134 | 146 | 155 | 132 | 136 | 149 | 158 | |
| 80 | MBh | 36.9 | 37.7 | 40.3 | 43.1 | 36.0 | 36.8 | 39.3 | 42.1 | 35.2 | 35.9 | 38.4 | 41.1 | 34.3 | 35.1 | 37.5 | 40.1 | 32.6 | 33.3 | 35.6 | 38.1 |
| | S/T | 0.88 | 0.82 | 0.67 | 0.50 | 0.91 | 0.85 | 0.69 | 0.52 | 0.93 | 0.87 | 0.71 | 0.53 | 0.96 | 0.90 | 0.73 | 0.55 | 1.00 | 0.94 | 0.76 | 0.57 |
| | ΔT | 25 | 24 | 21 | 17 | 26 | 25 | 21 | 17 | 26 | 25 | 21 | 17 | 26 | 25 | 22 | 17 | 25 | 24 | 21 | 17 |
| | kW | 2.07 | 2.12 | 2.19 | 2.26 | 2.24 | 2.29 | 2.37 | 2.45 | 2.39 | 2.45 | 2.53 | 2.62 | 2.53 | 2.59 | 2.68 | 2.77 | 2.64 | 2.70 | 2.80 | 2.90 |
| | Amps | 8.1 | 8.3 | 8.6 | 9.0 | 8.8 | 9.0 | 9.3 | 9.7 | 9.6 | 9.9 | 10.2 | 10.6 | 10.3 | 10.6 | 10.9 | 11.4 | 11.0 | 11.3 | 11.7 | 12.1 |
| | HI PR | 218 | 234 | 238 | 243 | 246 | 265 | 269 | 275 | 280 | 301 | 306 | 312 | 319 | 343 | 348 | 356 | 345 | 371 | 376 | 384 |
| Lo PR | 117 | 121 | 132 | 141 | 121 | 125 | 136 | 145 | 125 | 129 | 141 | 150 | 128 | 132 | 144 | 154 | 131 | 135 | 147 | 157 | |
| 80 | MBh | 34.1 | 34.8 | 37.2 | 39.7 | 33.3 | 34.0 | 36.3 | 38.8 | 32.5 | 33.2 | 35.4 | 37.9 | 31.7 | 32.4 | 34.6 | 37.0 | 30.1 | 30.8 | 32.9 | 35.1 |
| | S/T | 0.85 | 0.79 | 0.65 | 0.48 | 0.88 | 0.82 | 0.67 | 0.50 | 0.90 | 0.84 | 0.69 | 0.51 | 0.93 | 0.87 | 0.71 | 0.53 | 0.96 | 0.90 | 0.74 | 0.55 |
| | ΔT | 26 | 25 | 22 | 17 | 26 | 25 | 22 | 17 | 26 | 25 | 22 | 17 | 26 | 25 | 22 | 18 | 26 | 25 | 22 | 17 |
| | kW | 2.05 | 2.10 | 2.17 | 2.24 | 2.22 | 2.27 | 2.35 | 2.43 | 2.37 | 2.43 | 2.51 | 2.60 | 2.50 | 2.56 | 2.65 | 2.75 | 2.62 | 2.68 | 2.77 | 2.87 |
| | Amps | 8.1 | 8.3 | 8.5 | 8.9 | 8.7 | 9.0 | 9.3 | 9.6 | 9.5 | 9.8 | 10.1 | 10.5 | 10.2 | 10.5 | 10.8 | 11.2 | 10.9 | 11.2 | 11.5 | 12.0 |
| | HI PR | 216 | 232 | 235 | 241 | 244 | 262 | 266 | 272 | 278 | 298 | 303 | 309 | 316 | 340 | 345 | 352 | 341 | 367 | 372 | 380 |
| Lo PR | 116 | 120 | 131 | 139 | 120 | 123 | 135 | 143 | 124 | 127 | 139 | 148 | 127 | 131 | 143 | 152 | 129 | 134 | 146 | 155 | |

| | | | | | | | | | | | | | | | | | | | | | |
|-------|-------|------|------|------|------|------|------|------|------|------|------|------|------|------|------|------|------|------|------|------|------|
| 85 | MBh | 38.7 | 39.4 | 41.3 | 44.0 | 37.8 | 38.5 | 40.3 | 43.0 | 36.9 | 37.6 | 39.4 | 42.0 | 36.0 | 36.7 | 38.4 | 41.0 | 34.2 | 34.8 | 36.5 | 38.9 |
| | S/T | 0.96 | 0.93 | 0.84 | 0.68 | 1.00 | 0.96 | 0.87 | 0.71 | 1.00 | 0.99 | 0.89 | 0.72 | 1.00 | 1.00 | 0.92 | 0.75 | 1.00 | 1.00 | 0.96 | 0.78 |
| | ΔT | 26 | 25 | 24 | 21 | 26 | 26 | 24 | 21 | 25 | 26 | 24 | 21 | 25 | 25 | 24 | 21 | 24 | 24 | 24 | 21 |
| | kW | 2.09 | 2.14 | 2.21 | 2.28 | 2.26 | 2.31 | 2.39 | 2.48 | 2.41 | 2.47 | 2.56 | 2.65 | 2.55 | 2.61 | 2.70 | 2.80 | 2.66 | 2.73 | 2.82 | 2.92 |
| | Amps | 8.2 | 8.4 | 8.7 | 9.0 | 8.9 | 9.1 | 9.4 | 9.8 | 9.7 | 9.9 | 10.3 | 10.7 | 10.4 | 10.7 | 11.0 | 11.5 | 11.1 | 11.4 | 11.8 | 12.2 |
| | HI PR | 220 | 237 | 240 | 245 | 249 | 268 | 271 | 277 | 283 | 304 | 309 | 316 | 322 | 347 | 352 | 359 | 348 | 374 | 380 | 388 |
| Lo PR | 118 | 122 | 133 | 142 | 122 | 126 | 137 | 146 | 126 | 130 | 142 | 151 | 129 | 134 | 146 | 155 | 132 | 136 | 149 | 158 | |
| 85 | MBh | 37.5 | 38.3 | 40.1 | 42.8 | 36.7 | 37.4 | 39.1 | 41.8 | 35.8 | 36.5 | 38.2 | 40.8 | 34.9 | 35.6 | 37.3 | 39.8 | 33.2 | 33.8 | 35.4 | 37.8 |
| | S/T | 0.92 | 0.89 | 0.80 | 0.65 | 0.95 | 0.92 | 0.83 | 0.67 | 0.98 | 0.94 | 0.85 | 0.69 | 1.00 | 0.97 | 0.88 | 0.71 | 1.00 | 1.00 | 0.91 | 0.74 |
| | ΔT | 27 | 27 | 25 | 22 | 27 | 27 | 25 | 22 | 27 | 27 | 25 | 22 | 27 | 27 | 26 | 22 | 26 | 26 | 25 | 22 |
| | kW | 2.07 | 2.12 | 2.19 | 2.26 | 2.24 | 2.29 | 2.37 | 2.45 | 2.39 | 2.45 | 2.53 | 2.62 | 2.53 | 2.59 | 2.68 | 2.77 | 2.64 | 2.70 | 2.80 | 2.90 |
| | Amps | 8.1 | 8.3 | 8.6 | 9.0 | 8.8 | 9.0 | 9.3 | 9.7 | 9.6 | 9.9 | 10.2 | 10.6 | 10.3 | 10.6 | 10.9 | 11.4 | 11.0 | 11.3 | 11.7 | 12.1 |
| | HI PR | 218 | 234 | 238 | 243 | 246 | 265 | 269 | 275 | 280 | 301 | 306 | 312 | 319 | 343 | 348 | 356 | 345 | 371 | 376 | 384 |
| Lo PR | 117 | 121 | 132 | 141 | 121 | 125 | 136 | 145 | 125 | 129 | 141 | 150 | 128 | 132 | 144 | 154 | 131 | 135 | 147 | 157 | |
| 85 | MBh | 34.6 | 35.3 | 37.0 | 39.5 | 33.8 | 34.5 | 36.1 | 38.5 | 33.0 | 33.7 | 35.3 | 37.6 | 32.2 | 32.9 | 34.4 | 36.7 | 30.6 | 31.2 | 32.7 | 34.9 |
| | S/T | 0.89 | 0.86 | 0.77 | 0.63 | 0.92 | 0.89 | 0.80 | 0.65 | 0.94 | 0.91 | 0.82 | 0.67 | 0.97 | 0.94 | 0.85 | 0.69 | 1.00 | 0.97 | 0.88 | 0.71 |
| | ΔT | 28 | 27 | 26 | 22 | 28 | 27 | 26 | 22 | 28 | 27 | 26 | 22 | 28 | 28 | 26 | 23 | 27 | 27 | 26 | 22 |
| | kW | 2.05 | 2.10 | 2.17 | 2.24 | 2.22 | 2.27 | 2.35 | 2.43 | 2.37 | 2.43 | 2.51 | 2.60 | 2.50 | 2.56 | 2.65 | 2.75 | 2.62 | 2.68 | 2.77 | 2.87 |
| | Amps | 8.1 | 8.3 | 8.5 | 8.9 | 8.7 | 9.0 | 9.3 | 9.6 | 9.5 | 9.8 | 10.1 | 10.5 | 10.2 | 10.5 | 10.8 | 11.2 | 10.9 | 11.2 | 11.5 | 12.0 |
| | HI PR | 216 | 232 | 235 | 241 | 244 | 262 | 266 | 272 | 278 | 298 | 303 | 309 | 316 | 340 | 345 | 352 | 341 | 367 | 372 | 380 |
| Lo PR | 116 | 120 | 131 | 139 | 120 | 123 | 135 | 143 | 124 | 127 | 139 | 148 | 127 | 131 | 143 | 152 | 129 | 134 | 146 | 155 | |

IDB = Entering Indoor Dry Bulb Temperature
 High and low pressures are measured at the liquid and suction service valves.
 Shaded area reflects AHRI (TVA) conditions
 kW = Total system power
 Amps = outdoor unit amps (comp.+fan)

| IDB | AIRFLOW | OUTDOOR AMBIENT TEMPERATURE | | | | | | | | | | | | | | | | | | | | | | | |
|-------|---------|-----------------------------|------|------|------|------|------|------|------|------|------|------|------|------|------|------|------|-------|------|------|------|-------|------|------|----|
| | | 65°F | | | | 75°F | | | | 85°F | | | | 95°F | | | | 105°F | | | | 115°F | | | |
| | | 59 | 63 | 67 | 71 | 59 | 63 | 67 | 71 | 59 | 63 | 67 | 71 | 59 | 63 | 67 | 71 | 59 | 63 | 67 | 71 | 59 | 63 | 67 | 71 |
| 70 | MBh | 34.6 | 35.8 | 39.3 | - | 33.8 | 35.0 | 38.3 | - | 33.0 | 34.2 | 37.4 | - | 32.2 | 33.3 | 36.5 | - | 30.5 | 31.7 | 34.7 | - | 28.3 | 29.3 | 32.1 | - |
| | S/T | 0.76 | 0.64 | 0.44 | - | 0.79 | 0.66 | 0.46 | - | 0.81 | 0.68 | 0.47 | - | 0.83 | 0.70 | 0.48 | - | 0.87 | 0.72 | 0.50 | - | 0.87 | 0.73 | 0.51 | - |
| | ΔT | 18 | 16 | 12 | - | 18 | 16 | 12 | - | 18 | 16 | 12 | - | 19 | 16 | 12 | - | 18 | 16 | 12 | - | 17 | 15 | 11 | - |
| | kW | 1.87 | 1.91 | 1.97 | - | 2.02 | 2.07 | 2.14 | - | 2.16 | 2.21 | 2.29 | - | 2.28 | 2.34 | 2.42 | - | 2.39 | 2.44 | 2.53 | - | 2.47 | 2.53 | 2.62 | - |
| | Amps | 7.2 | 7.4 | 7.6 | - | 7.8 | 8.0 | 8.3 | - | 8.5 | 8.7 | 9.0 | - | 9.1 | 9.4 | 9.7 | - | 9.7 | 10.0 | 10.3 | - | 10.4 | 10.6 | 11.0 | - |
| | HI PR | 216 | 232 | 235 | - | 244 | 262 | 266 | - | 277 | 298 | 303 | - | 316 | 340 | 345 | - | 356 | 382 | 388 | - | 398 | 428 | 434 | - |
| | Lo PR | 121 | 125 | 137 | - | 125 | 129 | 141 | - | 129 | 133 | 146 | - | 133 | 137 | 149 | - | 135 | 140 | 152 | - | 139 | 143 | 156 | - |
| | MBh | 33.6 | 34.8 | 38.1 | - | 32.8 | 34.0 | 37.2 | - | 32.0 | 33.2 | 36.3 | - | 31.2 | 32.4 | 35.5 | - | 29.7 | 30.7 | 33.7 | - | 27.5 | 28.5 | 31.2 | - |
| | S/T | 0.73 | 0.61 | 0.42 | - | 0.75 | 0.63 | 0.44 | - | 0.77 | 0.64 | 0.45 | - | 0.80 | 0.66 | 0.46 | - | 0.83 | 0.69 | 0.48 | - | 0.83 | 0.70 | 0.48 | - |
| | ΔT | 19 | 16 | 13 | - | 19 | 17 | 13 | - | 19 | 17 | 13 | - | 19 | 17 | 13 | - | 19 | 17 | 13 | - | 18 | 16 | 12 | - |
| kW | 1.85 | 1.89 | 1.96 | - | 2.00 | 2.05 | 2.12 | - | 2.14 | 2.19 | 2.27 | - | 2.26 | 2.32 | 2.40 | - | 2.36 | 2.42 | 2.51 | - | 2.45 | 2.51 | 2.60 | - | |
| Amps | 7.1 | 7.3 | 7.6 | - | 7.7 | 7.9 | 8.2 | - | 8.4 | 8.7 | 9.0 | - | 9.0 | 9.3 | 9.6 | - | 9.7 | 9.9 | 10.2 | - | 10.3 | 10.5 | 10.9 | - | |
| HI PR | 214 | 230 | 233 | - | 242 | 260 | 263 | - | 275 | 295 | 300 | - | 313 | 336 | 341 | - | 352 | 378 | 384 | - | 394 | 424 | 430 | - | |
| Lo PR | 120 | 124 | 135 | - | 124 | 128 | 139 | - | 128 | 132 | 144 | - | 131 | 136 | 148 | - | 134 | 138 | 151 | - | 137 | 142 | 155 | - | |
| MBh | 31.0 | 32.1 | 35.2 | - | 30.3 | 31.4 | 34.4 | - | 29.5 | 30.6 | 33.5 | - | 28.8 | 29.9 | 32.7 | - | 27.4 | 28.4 | 31.1 | - | 25.4 | 26.3 | 28.8 | - | |
| S/T | 0.70 | 0.58 | 0.40 | - | 0.73 | 0.61 | 0.42 | - | 0.74 | 0.62 | 0.43 | - | 0.77 | 0.64 | 0.44 | - | 0.80 | 0.67 | 0.46 | - | 0.80 | 0.67 | 0.46 | - | |
| ΔT | 19 | 17 | 13 | - | 20 | 17 | 13 | - | 20 | 17 | 13 | - | 20 | 17 | 13 | - | 20 | 17 | 13 | - | 18 | 16 | 12 | - | |
| kW | 1.83 | 1.88 | 1.94 | - | 1.99 | 2.03 | 2.10 | - | 2.12 | 2.17 | 2.25 | - | 2.24 | 2.29 | 2.38 | - | 2.34 | 2.40 | 2.48 | - | 2.43 | 2.49 | 2.58 | - | |
| Amps | 7.1 | 7.2 | 7.5 | - | 7.7 | 7.9 | 8.1 | - | 8.4 | 8.6 | 8.9 | - | 9.0 | 9.2 | 9.5 | - | 9.6 | 9.8 | 10.1 | - | 10.2 | 10.4 | 10.8 | - | |
| HI PR | 212 | 227 | 231 | - | 239 | 257 | 261 | - | 272 | 292 | 297 | - | 310 | 333 | 338 | - | 348 | 375 | 380 | - | 390 | 420 | 426 | - | |
| Lo PR | 119 | 123 | 134 | - | 123 | 126 | 138 | - | 127 | 131 | 143 | - | 130 | 134 | 147 | - | 133 | 137 | 149 | - | 136 | 140 | 153 | - | |

| | | | | | | | | | | | | | | | | | | | | | | | | | |
|-------|-------|------|------|------|------|------|------|------|------|------|------|------|------|------|------|------|------|------|------|------|------|------|------|------|------|
| 75 | MBh | 35.2 | 36.2 | 39.2 | 42.0 | 34.3 | 35.4 | 38.3 | 41.1 | 33.5 | 34.5 | 37.4 | 40.1 | 32.7 | 33.7 | 36.4 | 39.1 | 31.1 | 32.0 | 34.6 | 37.2 | 28.8 | 29.6 | 32.1 | 34.4 |
| | S/T | 0.86 | 0.77 | 0.59 | 0.38 | 0.90 | 0.80 | 0.61 | 0.39 | 0.92 | 0.82 | 0.62 | 0.40 | 0.95 | 0.85 | 0.64 | 0.41 | 0.98 | 0.88 | 0.67 | 0.43 | 0.99 | 0.89 | 0.67 | 0.43 |
| | ΔT | 21 | 19 | 16 | 11 | 21 | 20 | 16 | 11 | 21 | 20 | 16 | 11 | 22 | 20 | 16 | 11 | 21 | 20 | 16 | 11 | 20 | 18 | 15 | 10 |
| | kW | 1.87 | 1.91 | 1.97 | 2.04 | 2.02 | 2.07 | 2.14 | 2.22 | 2.16 | 2.21 | 2.29 | 2.37 | 2.28 | 2.34 | 2.42 | 2.51 | 2.39 | 2.44 | 2.53 | 2.62 | 2.47 | 2.53 | 2.62 | 2.72 |
| | Amps | 7.2 | 7.4 | 7.6 | 7.9 | 7.8 | 8.0 | 8.3 | 8.6 | 8.5 | 8.7 | 9.0 | 9.4 | 9.1 | 9.4 | 9.7 | 10.1 | 9.7 | 10.0 | 10.3 | 10.8 | 10.4 | 10.6 | 11.0 | 11.4 |
| | HI PR | 216 | 232 | 235 | 241 | 244 | 262 | 266 | 272 | 277 | 298 | 303 | 309 | 316 | 340 | 345 | 352 | 356 | 382 | 388 | 396 | 398 | 428 | 434 | 444 |
| | Lo PR | 121 | 125 | 137 | 146 | 125 | 129 | 141 | 150 | 129 | 133 | 146 | 155 | 133 | 137 | 149 | 159 | 135 | 140 | 152 | 162 | 139 | 143 | 156 | 166 |
| | MBh | 34.1 | 35.1 | 38.0 | 40.8 | 33.3 | 34.3 | 37.2 | 39.9 | 32.5 | 33.5 | 36.3 | 38.9 | 31.7 | 32.7 | 35.4 | 38.0 | 30.2 | 31.1 | 33.6 | 36.1 | 27.9 | 28.8 | 31.1 | 33.4 |
| | S/T | 0.82 | 0.74 | 0.56 | 0.36 | 0.85 | 0.76 | 0.58 | 0.37 | 0.88 | 0.78 | 0.59 | 0.38 | 0.90 | 0.81 | 0.61 | 0.39 | 0.94 | 0.84 | 0.64 | 0.41 | 0.95 | 0.85 | 0.64 | 0.41 |
| | ΔT | 22 | 20 | 17 | 11 | 22 | 21 | 17 | 12 | 22 | 21 | 17 | 12 | 22 | 21 | 17 | 12 | 22 | 20 | 17 | 12 | 21 | 19 | 16 | 11 |
| kW | 1.85 | 1.89 | 1.96 | 2.03 | 2.00 | 2.05 | 2.12 | 2.20 | 2.14 | 2.19 | 2.27 | 2.35 | 2.26 | 2.32 | 2.40 | 2.48 | 2.36 | 2.42 | 2.51 | 2.60 | 2.45 | 2.51 | 2.60 | 2.69 | |
| Amps | 7.1 | 7.3 | 7.6 | 7.9 | 7.7 | 7.9 | 8.2 | 8.5 | 8.4 | 8.7 | 9.0 | 9.3 | 9.0 | 9.3 | 9.6 | 10.0 | 9.7 | 9.9 | 10.2 | 10.6 | 10.3 | 10.5 | 10.9 | 11.3 | |
| HI PR | 214 | 230 | 233 | 238 | 242 | 260 | 263 | 269 | 275 | 295 | 300 | 306 | 313 | 336 | 341 | 349 | 352 | 378 | 384 | 392 | 394 | 424 | 430 | 439 | |
| Lo PR | 120 | 124 | 135 | 144 | 124 | 128 | 139 | 148 | 128 | 132 | 144 | 154 | 131 | 136 | 148 | 158 | 134 | 138 | 151 | 161 | 137 | 142 | 155 | 165 | |
| MBh | 31.5 | 32.4 | 35.1 | 37.7 | 30.8 | 31.7 | 34.3 | 36.8 | 30.0 | 30.9 | 33.5 | 35.9 | 29.3 | 30.2 | 32.7 | 35.1 | 27.8 | 28.7 | 31.0 | 33.3 | 25.8 | 26.6 | 28.7 | 30.8 | |
| S/T | 0.80 | 0.71 | 0.54 | 0.35 | 0.82 | 0.74 | 0.56 | 0.36 | 0.85 | 0.76 | 0.57 | 0.37 | 0.87 | 0.78 | 0.59 | 0.38 | 0.91 | 0.81 | 0.61 | 0.39 | 0.91 | 0.82 | 0.62 | 0.40 | |
| ΔT | 22 | 21 | 17 | 12 | 23 | 21 | 17 | 12 | 23 | 21 | 17 | 12 | 23 | 21 | 17 | 12 | 23 | 21 | 17 | 12 | 21 | 19 | 16 | 11 | |
| kW | 1.83 | 1.88 | 1.94 | 2.01 | 1.99 | 2.03 | 2.10 | 2.18 | 2.12 | 2.17 | 2.25 | 2.33 | 2.24 | 2.29 | 2.38 | 2.46 | 2.34 | 2.40 | 2.48 | 2.57 | 2.43 | 2.49 | 2.58 | 2.67 | |
| Amps | 7.1 | 7.2 | 7.5 | 7.8 | 7.7 | 7.9 | 8.1 | 8.4 | 8.4 | 8.6 | 8.9 | 9.2 | 9.0 | 9.2 | 9.5 | 9.9 | 9.6 | 9.8 | 10.1 | 10.5 | 10.2 | 10.4 | 10.8 | 11.2 | |
| HI PR | 212 | 227 | 231 | 236 | 239 | 257 | 261 | 267 | 272 | 292 | 297 | 303 | 310 | 333 | 338 | 345 | 348 | 375 | 380 | 388 | 390 | 420 | 426 | 435 | |
| Lo PR | 119 | 123 | 134 | 143 | 123 | 126 | 138 | 147 | 127 | 131 | 143 | 152 | 130 | 134 | 147 | 156 | 133 | 137 | 149 | 159 | 136 | 140 | 153 | 163 | |

IDB = Entering Indoor Dry Bulb Temperature
 High and low pressures are measured at the liquid and suction service valves.
 Shaded area reflects ACCA (TVA) conditions
 kW = Total system power
 Amps = outdoor unit amps (comp.+fan)

EXPANDED COOLING DATA – DSXC180481A* / CA*F4961*6**+TXV / MBVC2000*-1 LOW STAGE (CONT.)

| IDB | | OUTDOOR AMBIENT TEMPERATURE | | | | | | | | | | | | | | | | | | | | | | | | |
|-------------|--|-----------------------------|------|------|------|------|------|------|------|------|------|------|------|------|------|------|------|-------|------|------|------|-------|------|------|------|------|
| | | 65°F | | | | 75°F | | | | 85°F | | | | 95°F | | | | 105°F | | | | 115°F | | | | |
| | | 59 | 63 | 67 | 71 | 59 | 63 | 67 | 71 | 59 | 63 | 67 | 71 | 59 | 63 | 67 | 71 | 59 | 63 | 67 | 71 | 59 | 63 | 67 | 71 | |
| 1325 | | MBh | 35.8 | 36.6 | 39.1 | 41.8 | 34.9 | 35.7 | 38.2 | 40.8 | 34.1 | 34.9 | 37.2 | 39.8 | 33.3 | 34.0 | 36.3 | 38.8 | 31.6 | 32.3 | 34.5 | 36.9 | 29.3 | 29.9 | 32.0 | 34.2 |
| | | S/T | 0.95 | 0.89 | 0.72 | 0.54 | 1.00 | 0.92 | 0.75 | 0.56 | 1.00 | 0.95 | 0.77 | 0.58 | 1.00 | 1.00 | 0.79 | 0.59 | 1.00 | 1.00 | 0.82 | 0.62 | 1.00 | 1.00 | 0.83 | 0.62 |
| | | ΔT | 24 | 23 | 20 | 16 | 24 | 23 | 20 | 16 | 24 | 23 | 20 | 16 | 23 | 24 | 20 | 16 | 22 | 22 | 20 | 16 | 20 | 21 | 18 | 15 |
| | | kW | 1.87 | 1.91 | 1.97 | 2.04 | 2.02 | 2.07 | 2.14 | 2.20 | 2.16 | 2.21 | 2.29 | 2.37 | 2.28 | 2.34 | 2.42 | 2.51 | 2.39 | 2.44 | 2.53 | 2.62 | 2.47 | 2.53 | 2.62 | 2.72 |
| | | Amps | 7.2 | 7.4 | 7.6 | 7.9 | 7.8 | 8.0 | 8.3 | 8.6 | 8.5 | 8.7 | 9.0 | 9.4 | 9.1 | 9.4 | 9.7 | 10.1 | 9.7 | 10.0 | 10.3 | 10.8 | 10.4 | 10.6 | 11.0 | 11.4 |
| | | HI PR | 216 | 232 | 235 | 241 | 244 | 262 | 266 | 272 | 277 | 298 | 303 | 309 | 316 | 340 | 345 | 352 | 356 | 382 | 388 | 396 | 398 | 428 | 434 | 444 |
| | | Lo PR | 121 | 125 | 137 | 146 | 125 | 129 | 141 | 150 | 129 | 133 | 146 | 155 | 133 | 137 | 149 | 159 | 135 | 140 | 152 | 162 | 139 | 143 | 156 | 166 |
| 80 | | MBh | 34.7 | 35.5 | 37.9 | 40.5 | 33.9 | 34.7 | 37.0 | 39.6 | 33.1 | 33.8 | 36.2 | 38.7 | 32.3 | 33.0 | 35.3 | 37.7 | 30.7 | 31.4 | 33.5 | 35.8 | 28.4 | 29.1 | 31.0 | 33.2 |
| | | S/T | 0.90 | 0.85 | 0.69 | 0.52 | 0.94 | 0.88 | 0.72 | 0.53 | 0.96 | 0.90 | 0.73 | 0.55 | 0.99 | 0.93 | 0.76 | 0.57 | 1.00 | 0.97 | 0.79 | 0.59 | 1.00 | 0.97 | 0.79 | 0.59 |
| | | ΔT | 25 | 24 | 20 | 16 | 25 | 24 | 21 | 17 | 25 | 24 | 21 | 17 | 25 | 24 | 21 | 17 | 24 | 24 | 21 | 16 | 22 | 22 | 19 | 15 |
| | | kW | 1.85 | 1.89 | 1.96 | 2.03 | 2.00 | 2.05 | 2.12 | 2.20 | 2.14 | 2.19 | 2.27 | 2.35 | 2.26 | 2.32 | 2.40 | 2.48 | 2.36 | 2.42 | 2.51 | 2.60 | 2.45 | 2.51 | 2.60 | 2.69 |
| | | Amps | 7.1 | 7.3 | 7.6 | 7.9 | 7.7 | 7.9 | 8.2 | 8.5 | 8.4 | 8.7 | 9.0 | 9.3 | 9.0 | 9.3 | 9.6 | 10.0 | 9.7 | 9.9 | 10.2 | 10.6 | 10.3 | 10.5 | 10.9 | 11.3 |
| | | HI PR | 214 | 230 | 233 | 238 | 242 | 260 | 263 | 269 | 275 | 295 | 300 | 306 | 313 | 336 | 341 | 349 | 352 | 378 | 384 | 392 | 394 | 424 | 430 | 439 |
| | | Lo PR | 120 | 124 | 135 | 144 | 124 | 128 | 139 | 148 | 128 | 132 | 144 | 154 | 131 | 136 | 148 | 158 | 134 | 138 | 151 | 161 | 137 | 142 | 155 | 165 |
| | | MBh | 32.1 | 32.8 | 35.0 | 37.4 | 31.3 | 32.0 | 34.2 | 36.5 | 30.6 | 31.2 | 33.4 | 35.7 | 29.8 | 30.5 | 32.6 | 34.8 | 28.3 | 29.0 | 30.9 | 33.1 | 26.2 | 26.8 | 28.7 | 30.6 |
| | | S/T | 0.87 | 0.82 | 0.67 | 0.50 | 0.90 | 0.85 | 0.69 | 0.52 | 0.93 | 0.87 | 0.71 | 0.53 | 0.96 | 0.90 | 0.73 | 0.55 | 0.99 | 0.93 | 0.76 | 0.57 | 1.00 | 0.94 | 0.76 | 0.57 |
| | | ΔT | 25 | 24 | 21 | 17 | 25 | 24 | 21 | 17 | 25 | 24 | 21 | 17 | 26 | 25 | 21 | 17 | 25 | 24 | 21 | 17 | 24 | 23 | 20 | 16 |
| | | kW | 1.83 | 1.88 | 1.94 | 2.01 | 1.99 | 2.03 | 2.10 | 2.18 | 2.12 | 2.17 | 2.25 | 2.33 | 2.24 | 2.29 | 2.38 | 2.46 | 2.34 | 2.40 | 2.48 | 2.57 | 2.43 | 2.49 | 2.58 | 2.67 |
| | | Amps | 7.1 | 7.2 | 7.5 | 7.8 | 7.7 | 7.9 | 8.1 | 8.4 | 8.4 | 8.6 | 8.9 | 9.2 | 9.0 | 9.2 | 9.5 | 9.9 | 9.6 | 9.8 | 10.1 | 10.5 | 10.2 | 10.4 | 10.8 | 11.2 |
| | | HI PR | 212 | 227 | 231 | 236 | 239 | 257 | 261 | 267 | 272 | 292 | 297 | 303 | 310 | 333 | 338 | 345 | 348 | 375 | 380 | 388 | 390 | 420 | 426 | 435 |
| | | Lo PR | 119 | 123 | 134 | 143 | 123 | 126 | 138 | 147 | 127 | 131 | 143 | 152 | 130 | 134 | 147 | 156 | 133 | 137 | 149 | 159 | 136 | 140 | 153 | 163 |

| | | | | | | | | | | | | | | | | | | | | | | | | | | |
|-------------|--|-------|------|------|------|------|------|------|------|------|------|------|------|------|------|------|------|------|------|------|------|------|------|------|------|------|
| 1325 | | MBh | 36.4 | 37.1 | 38.9 | 41.5 | 35.6 | 36.2 | 38.0 | 40.5 | 34.7 | 35.4 | 37.1 | 39.5 | 33.9 | 34.5 | 36.2 | 38.6 | 32.2 | 32.8 | 34.3 | 36.6 | 29.8 | 30.4 | 31.8 | 33.9 |
| | | S/T | 0.99 | 0.96 | 0.87 | 0.70 | 1.00 | 0.99 | 0.90 | 0.73 | 1.00 | 1.00 | 0.92 | 0.75 | 1.00 | 1.00 | 0.95 | 0.77 | 1.00 | 1.00 | 0.99 | 0.80 | 1.00 | 1.00 | 0.99 | 0.81 |
| | | ΔT | 25 | 25 | 23 | 20 | 25 | 25 | 24 | 20 | 24 | 25 | 24 | 20 | 23 | 24 | 24 | 21 | 22 | 23 | 23 | 20 | 21 | 21 | 22 | 19 |
| | | kW | 1.87 | 1.91 | 1.97 | 2.04 | 2.02 | 2.07 | 2.14 | 2.22 | 2.16 | 2.21 | 2.29 | 2.37 | 2.28 | 2.34 | 2.42 | 2.51 | 2.39 | 2.44 | 2.53 | 2.62 | 2.47 | 2.53 | 2.62 | 2.72 |
| | | Amps | 7.2 | 7.4 | 7.6 | 7.9 | 7.8 | 8.0 | 8.3 | 8.6 | 8.5 | 8.7 | 9.0 | 9.4 | 9.1 | 9.4 | 9.7 | 10.1 | 9.7 | 10.0 | 10.3 | 10.8 | 10.4 | 10.6 | 11.0 | 11.4 |
| | | HI PR | 216 | 232 | 235 | 241 | 244 | 262 | 266 | 272 | 277 | 298 | 303 | 309 | 316 | 340 | 345 | 352 | 356 | 382 | 388 | 396 | 398 | 428 | 434 | 444 |
| | | Lo PR | 121 | 125 | 137 | 146 | 125 | 129 | 141 | 150 | 129 | 133 | 146 | 155 | 133 | 137 | 149 | 159 | 135 | 140 | 152 | 162 | 139 | 143 | 156 | 166 |
| 85 | | MBh | 35.3 | 36.0 | 37.7 | 40.3 | 34.5 | 35.2 | 36.9 | 39.3 | 33.7 | 34.4 | 36.0 | 38.4 | 32.9 | 33.5 | 35.1 | 37.4 | 31.2 | 31.8 | 33.3 | 35.6 | 28.9 | 29.5 | 30.9 | 33.0 |
| | | S/T | 0.95 | 0.92 | 0.83 | 0.67 | 0.98 | 0.95 | 0.86 | 0.69 | 1.00 | 0.97 | 0.88 | 0.71 | 1.00 | 1.00 | 0.91 | 0.74 | 1.00 | 1.00 | 0.94 | 0.76 | 1.00 | 1.00 | 0.95 | 0.77 |
| | | ΔT | 26 | 26 | 24 | 21 | 27 | 26 | 25 | 21 | 26 | 26 | 25 | 21 | 26 | 26 | 25 | 22 | 24 | 25 | 25 | 21 | 23 | 23 | 23 | 20 |
| | | kW | 1.85 | 1.89 | 1.96 | 2.03 | 2.00 | 2.05 | 2.12 | 2.20 | 2.14 | 2.19 | 2.27 | 2.35 | 2.26 | 2.32 | 2.40 | 2.48 | 2.36 | 2.42 | 2.51 | 2.60 | 2.45 | 2.51 | 2.60 | 2.69 |
| | | Amps | 7.1 | 7.3 | 7.6 | 7.9 | 7.7 | 7.9 | 8.2 | 8.5 | 8.4 | 8.7 | 9.0 | 9.3 | 9.0 | 9.3 | 9.6 | 10.0 | 9.7 | 9.9 | 10.2 | 10.6 | 10.3 | 10.5 | 10.9 | 11.3 |
| | | HI PR | 214 | 230 | 233 | 238 | 242 | 260 | 263 | 269 | 275 | 295 | 300 | 306 | 313 | 336 | 341 | 349 | 352 | 378 | 384 | 392 | 394 | 424 | 430 | 439 |
| | | Lo PR | 120 | 124 | 135 | 144 | 124 | 128 | 139 | 148 | 128 | 132 | 144 | 154 | 131 | 136 | 148 | 158 | 134 | 138 | 151 | 161 | 137 | 142 | 155 | 165 |
| | | MBh | 32.6 | 33.3 | 34.8 | 37.2 | 31.9 | 32.5 | 34.0 | 36.3 | 31.1 | 31.7 | 33.2 | 35.4 | 30.3 | 30.9 | 32.4 | 34.6 | 28.8 | 29.4 | 30.8 | 32.8 | 26.7 | 27.2 | 28.5 | 30.4 |
| | | S/T | 0.91 | 0.88 | 0.80 | 0.65 | 0.95 | 0.91 | 0.83 | 0.67 | 0.97 | 0.94 | 0.85 | 0.69 | 1.00 | 0.97 | 0.87 | 0.71 | 1.00 | 1.00 | 0.91 | 0.74 | 1.00 | 1.00 | 0.91 | 0.74 |
| | | ΔT | 26.8 | 26 | 25 | 22 | 27 | 27 | 25 | 22 | 27 | 27 | 25 | 22 | 27 | 27 | 25 | 22 | 26 | 26 | 25 | 22 | 24 | 24 | 23 | 20 |
| | | kW | 1.83 | 1.88 | 1.94 | 2.01 | 1.99 | 2.03 | 2.10 | 2.18 | 2.12 | 2.17 | 2.25 | 2.33 | 2.24 | 2.29 | 2.38 | 2.46 | 2.34 | 2.40 | 2.48 | 2.57 | 2.43 | 2.49 | 2.58 | 2.67 |
| | | Amps | 7.1 | 7.2 | 7.5 | 7.8 | 7.7 | 7.9 | 8.1 | 8.4 | 8.4 | 8.6 | 8.9 | 9.2 | 9.0 | 9.2 | 9.5 | 9.9 | 9.6 | 9.8 | 10.1 | 10.5 | 10.2 | 10.4 | 10.8 | 11.2 |
| | | HI PR | 212 | 227 | 231 | 236 | 239 | 257 | 261 | 267 | 272 | 292 | 297 | 303 | 310 | 333 | 338 | 345 | 348 | 375 | 380 | 388 | 390 | 420 | 426 | 435 |
| | | Lo PR | 119 | 123 | 134 | 143 | 123 | 126 | 138 | 147 | 127 | 131 | 143 | 152 | 130 | 134 | 147 | 156 | 133 | 137 | 149 | 159 | 136 | 140 | 153 | 163 |

IDB = Entering Indoor Dry Bulb Temperature
 High and low pressures are measured at the liquid and suction service valves.
 Shaded area reflects AHRI (TVA) conditions
 kW = Total system power
 Amps = outdoor unit amps (comp.+fan)

| IDB | AIRFLOW | OUTDOOR AMBIENT TEMPERATURE | | | | | | | | | | | | | | | | | | | | | | | |
|-------|---------|-----------------------------|------|------|------|------|------|------|------|------|------|------|------|------|------|------|------|-------|------|------|------|-------|------|------|----|
| | | 65°F | | | | 75°F | | | | 85°F | | | | 95°F | | | | 105°F | | | | 115°F | | | |
| | | 59 | 63 | 67 | 71 | 59 | 63 | 67 | 71 | 59 | 63 | 67 | 71 | 59 | 63 | 67 | 71 | 59 | 63 | 67 | 71 | 59 | 63 | 67 | 71 |
| 70 | MBh | 48.2 | 50.0 | 54.8 | - | 47.1 | 48.8 | 53.5 | - | 46.0 | 47.7 | 52.2 | - | 44.9 | 46.5 | 50.9 | - | 42.6 | 44.2 | 48.4 | - | 39.5 | 40.9 | 44.8 | - |
| | S/T | 0.77 | 0.64 | 0.44 | - | 0.79 | 0.66 | 0.46 | - | 0.81 | 0.68 | 0.47 | - | 0.84 | 0.70 | 0.49 | - | 0.87 | 0.73 | 0.50 | - | 0.88 | 0.73 | 0.51 | - |
| | ΔT | 17 | 15 | 11 | - | 17 | 15 | 11 | - | 17 | 15 | 11 | - | 18 | 15 | 12 | - | 18 | 15 | 11 | - | 16 | 14 | 11 | - |
| | kW | 2.87 | 2.94 | 3.03 | - | 3.10 | 3.17 | 3.27 | - | 3.20 | 3.37 | 3.48 | - | 3.47 | 3.55 | 3.67 | - | 3.62 | 3.70 | 3.83 | - | 3.75 | 3.84 | 3.97 | - |
| | Amps | 10.2 | 10.5 | 10.8 | - | 11.1 | 11.4 | 11.7 | - | 12.1 | 12.4 | 12.8 | - | 13.0 | 13.3 | 13.7 | - | 13.8 | 14.2 | 14.7 | - | 14.7 | 15.1 | 15.6 | - |
| | HI PR | 228 | 245 | 248 | - | 257 | 277 | 280 | - | 292 | 315 | 319 | - | 333 | 358 | 363 | - | 375 | 403 | 409 | - | 420 | 451 | 458 | - |
| | Lo PR | 121 | 124 | 136 | - | 124 | 128 | 140 | - | 128 | 132 | 145 | - | 132 | 136 | 148 | - | 134 | 139 | 151 | - | 138 | 142 | 155 | - |
| | MBh | 46.8 | 48.5 | 53.2 | - | 45.7 | 47.4 | 51.9 | - | 44.6 | 46.3 | 50.7 | - | 43.5 | 45.1 | 49.5 | - | 41.4 | 42.9 | 47.0 | - | 38.3 | 39.7 | 43.5 | - |
| | S/T | 0.73 | 0.61 | 0.42 | - | 0.76 | 0.63 | 0.44 | - | 0.78 | 0.65 | 0.45 | - | 0.80 | 0.67 | 0.46 | - | 0.83 | 0.69 | 0.48 | - | 0.84 | 0.70 | 0.48 | - |
| | ΔT | 18 | 16 | 12 | - | 18 | 16 | 12 | - | 18 | 16 | 12 | - | 18 | 16 | 12 | - | 18 | 16 | 12 | - | 17 | 15 | 11 | - |
| | kW | 2.85 | 2.91 | 3.01 | - | 3.07 | 3.14 | 3.24 | - | 3.27 | 3.34 | 3.45 | - | 3.44 | 3.52 | 3.64 | - | 3.59 | 3.67 | 3.80 | - | 3.72 | 3.80 | 3.93 | - |
| | Amps | 10.1 | 10.4 | 10.7 | - | 11.0 | 11.2 | 11.6 | - | 12.0 | 12.3 | 12.7 | - | 12.8 | 13.2 | 13.6 | - | 13.7 | 14.0 | 14.5 | - | 14.5 | 14.9 | 15.4 | - |
| HI PR | 225 | 242 | 246 | - | 255 | 274 | 278 | - | 290 | 311 | 316 | - | 330 | 355 | 360 | - | 371 | 399 | 405 | - | 416 | 447 | 453 | - | |
| Lo PR | 119 | 123 | 134 | - | 123 | 127 | 138 | - | 127 | 131 | 143 | - | 130 | 135 | 147 | - | 133 | 137 | 150 | - | 136 | 141 | 154 | - | |
| MBh | 43.2 | 44.8 | 49.1 | - | 42.2 | 43.7 | 47.9 | - | 41.2 | 42.7 | 46.8 | - | 40.2 | 41.7 | 45.6 | - | 38.2 | 39.6 | 43.4 | - | 35.4 | 36.7 | 40.2 | - | |
| S/T | 0.70 | 0.59 | 0.41 | - | 0.73 | 0.61 | 0.42 | - | 0.75 | 0.62 | 0.43 | - | 0.77 | 0.64 | 0.45 | - | 0.80 | 0.67 | 0.46 | - | 0.81 | 0.67 | 0.47 | - | |
| ΔT | 18 | 16 | 12 | - | 19 | 16 | 12 | - | 19 | 16 | 12 | - | 19 | 16 | 12 | - | 18 | 16 | 12 | - | 17 | 15 | 11 | - | |
| kW | 2.83 | 2.89 | 2.98 | - | 3.05 | 3.12 | 3.22 | - | 3.24 | 3.32 | 3.43 | - | 3.42 | 3.49 | 3.61 | - | 3.56 | 3.64 | 3.76 | - | 3.69 | 3.77 | 3.90 | - | |
| Amps | 10.0 | 10.3 | 10.6 | - | 10.9 | 11.1 | 11.5 | - | 11.9 | 12.2 | 12.6 | - | 12.7 | 13.0 | 13.5 | - | 13.6 | 13.9 | 14.4 | - | 14.4 | 14.8 | 15.3 | - | |
| HI PR | 223 | 240 | 243 | - | 252 | 271 | 275 | - | 287 | 308 | 313 | - | 327 | 351 | 356 | - | 367 | 395 | 401 | - | 411 | 442 | 449 | - | |
| Lo PR | 118 | 122 | 133 | - | 122 | 125 | 137 | - | 126 | 130 | 142 | - | 129 | 133 | 145 | - | 132 | 136 | 148 | - | 135 | 139 | 152 | - | |

| | | | | | | | | | | | | | | | | | | | | | | | | | |
|-------|-------|------|------|------|------|------|------|------|------|------|------|------|------|------|------|------|------|------|------|------|------|------|------|------|------|
| 75 | MBh | 49.0 | 50.5 | 54.6 | 58.7 | 47.9 | 49.3 | 53.4 | 57.3 | 46.8 | 48.1 | 52.1 | 55.9 | 45.6 | 47.0 | 50.8 | 54.6 | 43.3 | 44.6 | 48.3 | 51.8 | 40.1 | 41.3 | 44.7 | 48.0 |
| | S/T | 0.87 | 0.78 | 0.59 | 0.38 | 0.90 | 0.81 | 0.61 | 0.39 | 0.92 | 0.83 | 0.63 | 0.40 | 0.95 | 0.85 | 0.65 | 0.42 | 0.99 | 0.89 | 0.67 | 0.43 | 1.00 | 0.89 | 0.68 | 0.44 |
| | ΔT | 20 | 18 | 15 | 10 | 20 | 19 | 15 | 10 | 20 | 19 | 15 | 11 | 20 | 19 | 15 | 11 | 20 | 18 | 15 | 10 | 19 | 17 | 14 | 10 |
| | kW | 2.87 | 2.94 | 3.03 | 3.13 | 3.10 | 3.17 | 3.27 | 3.38 | 3.30 | 3.37 | 3.48 | 3.60 | 3.47 | 3.55 | 3.67 | 3.80 | 3.62 | 3.70 | 3.83 | 3.96 | 3.75 | 3.84 | 3.97 | 4.10 |
| | Amps | 10.2 | 10.5 | 10.8 | 11.2 | 11.1 | 11.4 | 11.7 | 12.2 | 12.1 | 12.4 | 12.8 | 13.3 | 13.0 | 13.3 | 13.7 | 14.3 | 13.8 | 14.2 | 14.7 | 15.3 | 14.7 | 15.1 | 15.6 | 16.2 |
| | HI PR | 228 | 245 | 248 | 254 | 257 | 277 | 280 | 287 | 292 | 315 | 319 | 326 | 333 | 358 | 363 | 371 | 375 | 403 | 409 | 418 | 420 | 451 | 458 | 468 |
| | Lo PR | 121 | 124 | 136 | 145 | 124 | 128 | 140 | 149 | 128 | 132 | 145 | 154 | 132 | 136 | 148 | 158 | 134 | 139 | 151 | 161 | 138 | 142 | 155 | 165 |
| | MBh | 47.6 | 49.0 | 53.1 | 56.9 | 46.5 | 47.9 | 51.8 | 55.6 | 45.4 | 46.7 | 50.6 | 54.3 | 44.3 | 45.6 | 49.4 | 53.0 | 42.1 | 43.3 | 46.9 | 50.3 | 39.0 | 40.1 | 43.4 | 46.6 |
| | S/T | 0.83 | 0.74 | 0.56 | 0.36 | 0.86 | 0.77 | 0.58 | 0.37 | 0.88 | 0.79 | 0.60 | 0.38 | 0.91 | 0.81 | 0.62 | 0.40 | 0.94 | 0.84 | 0.64 | 0.41 | 0.95 | 0.85 | 0.64 | 0.41 |
| | ΔT | 21 | 19 | 16 | 11 | 21 | 19 | 16 | 11 | 21 | 19 | 16 | 11 | 21 | 20 | 16 | 11 | 21 | 19 | 16 | 11 | 20 | 18 | 15 | 10 |
| | kW | 2.85 | 2.91 | 3.01 | 3.10 | 3.07 | 3.14 | 3.24 | 3.35 | 3.27 | 3.34 | 3.45 | 3.57 | 3.44 | 3.52 | 3.64 | 3.76 | 3.59 | 3.67 | 3.80 | 3.93 | 3.72 | 3.80 | 3.93 | 4.07 |
| | Amps | 10.1 | 10.4 | 10.7 | 11.1 | 11.0 | 11.2 | 11.6 | 12.1 | 12.0 | 12.3 | 12.7 | 13.2 | 12.8 | 13.2 | 13.6 | 14.2 | 13.7 | 14.0 | 14.5 | 15.1 | 14.5 | 14.9 | 15.4 | 16.0 |
| HI PR | 225 | 242 | 246 | 251 | 255 | 274 | 278 | 284 | 290 | 311 | 316 | 323 | 330 | 355 | 360 | 368 | 371 | 399 | 405 | 414 | 416 | 447 | 453 | 463 | |
| Lo PR | 119 | 123 | 134 | 143 | 123 | 127 | 138 | 147 | 127 | 131 | 143 | 152 | 130 | 135 | 147 | 156 | 133 | 137 | 150 | 160 | 136 | 141 | 154 | 163 | |
| MBh | 43.9 | 45.2 | 49.0 | 52.6 | 42.9 | 44.2 | 47.8 | 51.3 | 41.9 | 43.1 | 46.7 | 50.1 | 40.9 | 42.1 | 45.6 | 48.9 | 38.8 | 40.0 | 43.3 | 46.4 | 36.0 | 37.0 | 40.1 | 43.0 | |
| S/T | 0.80 | 0.72 | 0.54 | 0.35 | 0.83 | 0.74 | 0.56 | 0.36 | 0.85 | 0.76 | 0.58 | 0.37 | 0.88 | 0.79 | 0.59 | 0.38 | 0.91 | 0.81 | 0.62 | 0.40 | 0.92 | 0.82 | 0.62 | 0.40 | |
| ΔT | 21 | 19 | 16 | 11 | 21 | 20 | 16 | 11 | 21 | 20 | 16 | 11 | 22 | 20 | 16 | 11 | 22 | 20 | 16 | 11 | 20 | 18 | 15 | 10 | |
| kW | 2.83 | 2.89 | 2.98 | 3.08 | 3.05 | 3.12 | 3.22 | 3.32 | 3.24 | 3.32 | 3.43 | 3.54 | 3.42 | 3.49 | 3.61 | 3.73 | 3.56 | 3.64 | 3.76 | 3.89 | 3.69 | 3.77 | 3.90 | 4.03 | |
| Amps | 10.0 | 10.3 | 10.6 | 11.0 | 10.9 | 11.1 | 11.5 | 12.0 | 11.9 | 12.2 | 12.6 | 13.1 | 12.7 | 13.0 | 13.5 | 14.0 | 13.6 | 13.9 | 14.4 | 15.0 | 14.4 | 14.8 | 15.3 | 15.9 | |
| HI PR | 223 | 240 | 243 | 249 | 252 | 271 | 275 | 281 | 287 | 308 | 313 | 320 | 327 | 351 | 356 | 364 | 367 | 395 | 401 | 409 | 411 | 442 | 449 | 459 | |
| Lo PR | 118 | 122 | 133 | 142 | 122 | 125 | 137 | 146 | 126 | 130 | 142 | 151 | 129 | 133 | 145 | 155 | 132 | 136 | 148 | 158 | 135 | 139 | 152 | 162 | |

IDB = Entering Indoor Dry Bulb Temperature
 High and low pressures are measured at the liquid and suction service valves.
 Shaded area reflects ACCA (TVA) conditions
 kW = Total system power
 Amps = outdoor unit amps (comp.+fan)

| IDB | AIRFLOW | OUTDOOR AMBIENT TEMPERATURE | | | | | | | | | | | | | | | | | | | | | | | |
|-------|---------|-----------------------------|------|------|------|------|------|------|------|------|------|------|------|------|------|------|------|-------|------|------|------|-------|------|------|------|
| | | 65°F | | | | 75°F | | | | 85°F | | | | 95°F | | | | 105°F | | | | 115°F | | | |
| | | 59 | 63 | 67 | 71 | 59 | 63 | 67 | 71 | 59 | 63 | 67 | 71 | 59 | 63 | 67 | 71 | 59 | 63 | 67 | 71 | 59 | 63 | 67 | 71 |
| 80 | MBh | 49.9 | 51.0 | 54.5 | 58.2 | 48.7 | 49.8 | 53.2 | 56.9 | 47.6 | 48.6 | 52.0 | 55.5 | 46.4 | 47.4 | 50.7 | 54.2 | 44.1 | 45.1 | 48.1 | 51.5 | 40.9 | 41.7 | 44.6 | 47.7 |
| | S/T | 0.95 | 0.89 | 0.73 | 0.54 | 1.00 | 0.93 | 0.75 | 0.56 | 1.00 | 0.95 | 0.77 | 0.58 | 1.00 | 1.00 | 0.80 | 0.60 | 1.00 | 1.00 | 0.83 | 0.62 | 1.00 | 1.00 | 0.84 | 0.63 |
| | ΔT | 22 | 21 | 19 | 15 | 23 | 22 | 19 | 15 | 22 | 22 | 19 | 15 | 22 | 22 | 19 | 15 | 21 | 21 | 19 | 15 | 19 | 19 | 17 | 14 |
| | kW | 2.87 | 2.94 | 3.03 | 3.13 | 3.10 | 3.17 | 3.27 | 3.38 | 3.30 | 3.37 | 3.48 | 3.60 | 3.47 | 3.55 | 3.67 | 3.80 | 3.62 | 3.70 | 3.83 | 3.96 | 3.75 | 3.84 | 3.97 | 4.10 |
| | Amps | 10.2 | 10.5 | 10.8 | 11.2 | 11.1 | 11.4 | 11.7 | 12.2 | 12.1 | 12.4 | 12.8 | 13.3 | 13.0 | 13.3 | 13.7 | 14.3 | 13.8 | 14.2 | 14.7 | 15.3 | 14.7 | 15.1 | 15.6 | 16.2 |
| | HI PR | 228 | 245 | 248 | 254 | 257 | 277 | 280 | 287 | 292 | 315 | 319 | 326 | 333 | 358 | 363 | 371 | 375 | 403 | 409 | 418 | 420 | 451 | 458 | 468 |
| | Lo PR | 121 | 124 | 136 | 145 | 124 | 128 | 140 | 149 | 128 | 132 | 145 | 154 | 132 | 136 | 148 | 158 | 134 | 139 | 151 | 161 | 138 | 142 | 155 | 165 |
| | MBh | 48.5 | 49.5 | 52.9 | 56.5 | 47.3 | 48.4 | 51.7 | 55.2 | 46.2 | 47.2 | 50.4 | 53.9 | 45.1 | 46.1 | 49.2 | 52.6 | 42.8 | 43.8 | 46.7 | 50.0 | 39.7 | 40.5 | 43.3 | 46.3 |
| | S/T | 0.91 | 0.85 | 0.69 | 0.52 | 0.94 | 0.88 | 0.72 | 0.54 | 0.97 | 0.91 | 0.74 | 0.55 | 1.00 | 0.94 | 0.76 | 0.57 | 1.00 | 0.97 | 0.79 | 0.59 | 1.00 | 0.98 | 0.80 | 0.60 |
| | ΔT | 23 | 22 | 19 | 15 | 23 | 22 | 20 | 16 | 23 | 22 | 20 | 16 | 24 | 23 | 20 | 16 | 22 | 22 | 19 | 16 | 21 | 21 | 18 | 14 |
| kW | 2.85 | 2.91 | 3.01 | 3.10 | 3.07 | 3.14 | 3.24 | 3.35 | 3.27 | 3.34 | 3.45 | 3.57 | 3.44 | 3.52 | 3.64 | 3.76 | 3.59 | 3.67 | 3.80 | 3.93 | 3.72 | 3.80 | 3.93 | 4.07 | |
| Amps | 10.1 | 10.4 | 10.7 | 11.1 | 11.0 | 11.2 | 11.6 | 12.1 | 12.0 | 12.3 | 12.7 | 13.2 | 12.8 | 13.2 | 13.6 | 14.2 | 13.7 | 14.0 | 14.5 | 15.1 | 14.5 | 14.9 | 15.4 | 16.0 | |
| HI PR | 225 | 242 | 246 | 251 | 255 | 274 | 278 | 284 | 290 | 311 | 316 | 323 | 330 | 355 | 360 | 368 | 371 | 399 | 405 | 414 | 416 | 447 | 453 | 463 | |
| Lo PR | 119 | 123 | 134 | 143 | 123 | 127 | 138 | 147 | 127 | 131 | 143 | 152 | 130 | 135 | 147 | 156 | 133 | 137 | 150 | 160 | 136 | 141 | 154 | 163 | |
| MBh | 44.7 | 45.7 | 48.8 | 52.2 | 43.7 | 44.6 | 47.7 | 51.0 | 42.6 | 43.6 | 46.6 | 49.8 | 41.6 | 42.5 | 45.4 | 48.6 | 39.5 | 40.4 | 43.1 | 46.1 | 36.6 | 37.4 | 40.0 | 42.7 | |
| S/T | 0.88 | 0.82 | 0.67 | 0.50 | 0.91 | 0.85 | 0.69 | 0.52 | 0.93 | 0.87 | 0.71 | 0.53 | 0.96 | 0.90 | 0.73 | 0.55 | 1.00 | 0.94 | 0.76 | 0.57 | 1.01 | 0.94 | 0.77 | 0.57 | |
| ΔT | 24 | 23 | 20 | 16 | 24 | 23 | 20 | 16 | 24 | 23 | 20 | 16 | 24 | 23 | 20 | 16 | 24 | 23 | 20 | 16 | 22 | 21 | 18 | 15 | |
| kW | 2.83 | 2.89 | 2.98 | 3.08 | 3.05 | 3.12 | 3.22 | 3.32 | 3.24 | 3.32 | 3.43 | 3.54 | 3.42 | 3.49 | 3.61 | 3.73 | 3.56 | 3.64 | 3.76 | 3.89 | 3.69 | 3.77 | 3.90 | 4.03 | |
| Amps | 10.0 | 10.3 | 10.6 | 11.0 | 10.9 | 11.1 | 11.5 | 12.0 | 11.9 | 12.2 | 12.6 | 13.1 | 12.7 | 13.0 | 13.5 | 14.0 | 13.6 | 13.9 | 14.4 | 15.0 | 14.4 | 14.8 | 15.3 | 15.9 | |
| HI PR | 223 | 240 | 243 | 249 | 252 | 271 | 275 | 281 | 287 | 308 | 313 | 320 | 327 | 351 | 356 | 364 | 367 | 395 | 401 | 409 | 411 | 442 | 449 | 459 | |
| Lo PR | 118 | 122 | 133 | 142 | 122 | 125 | 137 | 146 | 126 | 130 | 142 | 151 | 129 | 133 | 145 | 155 | 132 | 136 | 148 | 158 | 135 | 139 | 152 | 162 | |

| | | | | | | | | | | | | | | | | | | | | | | | | | |
|-------|-------|------|------|------|------|------|------|------|------|------|------|------|------|------|------|------|------|------|------|------|------|------|------|------|------|
| 85 | MBh | 50.8 | 51.8 | 54.2 | 57.8 | 49.6 | 50.6 | 53.0 | 56.5 | 48.4 | 49.4 | 51.7 | 55.1 | 47.2 | 48.2 | 50.4 | 53.8 | 44.9 | 45.7 | 47.9 | 51.1 | 41.6 | 42.4 | 44.4 | 47.3 |
| | S/T | 1.00 | 0.97 | 0.87 | 0.71 | 1.00 | 1.00 | 0.90 | 0.73 | 1.00 | 1.00 | 0.93 | 0.75 | 1.00 | 1.00 | 0.96 | 0.78 | 1.00 | 1.00 | 0.99 | 0.80 | 1.00 | 1.00 | 1.00 | 0.81 |
| | ΔT | 24 | 23 | 22 | 19 | 23 | 24 | 22 | 19 | 23 | 23 | 22 | 19 | 22 | 22 | 22 | 19 | 21 | 21 | 21 | 19 | 19 | 20 | 21 | 18 |
| | kW | 2.87 | 2.94 | 3.03 | 3.13 | 3.10 | 3.17 | 3.27 | 3.38 | 3.30 | 3.37 | 3.48 | 3.60 | 3.47 | 3.55 | 3.67 | 3.80 | 3.62 | 3.70 | 3.83 | 3.96 | 3.75 | 3.84 | 3.97 | 4.10 |
| | Amps | 10.2 | 10.5 | 10.8 | 11.2 | 11.1 | 11.4 | 11.7 | 12.2 | 12.1 | 12.4 | 12.8 | 13.3 | 13.0 | 13.3 | 13.7 | 14.3 | 13.8 | 14.2 | 14.7 | 15.3 | 14.7 | 15.1 | 15.6 | 16.2 |
| | HI PR | 228 | 245 | 248 | 254 | 257 | 277 | 280 | 287 | 292 | 315 | 319 | 326 | 333 | 358 | 363 | 371 | 375 | 403 | 409 | 418 | 420 | 451 | 458 | 468 |
| | Lo PR | 121 | 124 | 136 | 145 | 124 | 128 | 140 | 149 | 128 | 132 | 145 | 154 | 132 | 136 | 148 | 158 | 134 | 139 | 151 | 161 | 138 | 142 | 155 | 165 |
| | MBh | 49.3 | 50.3 | 52.6 | 56.2 | 48.2 | 49.1 | 51.4 | 54.8 | 47.0 | 47.9 | 50.2 | 53.5 | 45.9 | 46.7 | 49.0 | 52.2 | 43.6 | 44.4 | 46.5 | 49.6 | 40.4 | 41.1 | 43.1 | 46.0 |
| | S/T | 0.95 | 0.92 | 0.83 | 0.67 | 0.99 | 0.95 | 0.86 | 0.70 | 1.00 | 0.98 | 0.88 | 0.72 | 1.00 | 1.00 | 0.91 | 0.74 | 1.00 | 1.00 | 0.95 | 0.77 | 1.00 | 1.00 | 0.95 | 0.77 |
| | ΔT | 25 | 24 | 23 | 20 | 25 | 25 | 23 | 20 | 25 | 25 | 23 | 20 | 24 | 25 | 23 | 20 | 23 | 23 | 23 | 20 | 21 | 22 | 22 | 19 |
| kW | 2.85 | 2.91 | 3.01 | 3.10 | 3.07 | 3.14 | 3.24 | 3.35 | 3.27 | 3.34 | 3.45 | 3.57 | 3.44 | 3.52 | 3.64 | 3.76 | 3.59 | 3.67 | 3.80 | 3.93 | 3.72 | 3.80 | 3.93 | 4.07 | |
| Amps | 10.1 | 10.4 | 10.7 | 11.1 | 11.0 | 11.2 | 11.6 | 12.1 | 12.0 | 12.3 | 12.7 | 13.2 | 12.8 | 13.2 | 13.6 | 14.2 | 13.7 | 14.0 | 14.5 | 15.1 | 14.5 | 14.9 | 15.4 | 16.0 | |
| HI PR | 225 | 242 | 246 | 251 | 255 | 274 | 278 | 284 | 290 | 311 | 316 | 323 | 330 | 355 | 360 | 368 | 371 | 399 | 405 | 414 | 416 | 447 | 453 | 463 | |
| Lo PR | 119 | 123 | 134 | 143 | 123 | 127 | 138 | 147 | 127 | 131 | 143 | 152 | 130 | 135 | 147 | 156 | 133 | 137 | 150 | 160 | 136 | 141 | 154 | 163 | |
| MBh | 45.5 | 46.4 | 48.6 | 51.8 | 44.4 | 45.3 | 47.5 | 50.6 | 43.4 | 44.2 | 46.3 | 49.4 | 42.3 | 43.1 | 45.2 | 48.2 | 40.2 | 41.0 | 42.9 | 45.8 | 37.3 | 38.0 | 39.8 | 42.4 | |
| S/T | 0.92 | 0.89 | 0.80 | 0.65 | 0.95 | 0.92 | 0.83 | 0.67 | 0.98 | 0.94 | 0.85 | 0.69 | 1.00 | 0.97 | 0.88 | 0.71 | 1.00 | 1.00 | 0.91 | 0.74 | 1.00 | 1.00 | 0.92 | 0.75 | |
| ΔT | 25 | 25 | 23 | 20 | 25 | 25 | 24 | 20 | 25 | 25 | 24 | 21 | 25 | 25 | 24 | 21 | 24 | 25 | 24 | 20 | 22 | 23 | 22 | 19 | |
| kW | 2.83 | 2.89 | 2.98 | 3.08 | 3.05 | 3.12 | 3.22 | 3.32 | 3.24 | 3.32 | 3.43 | 3.54 | 3.42 | 3.49 | 3.61 | 3.73 | 3.56 | 3.64 | 3.76 | 3.89 | 3.69 | 3.77 | 3.90 | 4.03 | |
| Amps | 10.0 | 10.3 | 10.6 | 11.0 | 10.9 | 11.1 | 11.5 | 12.0 | 11.9 | 12.2 | 12.6 | 13.1 | 12.7 | 13.0 | 13.5 | 14.0 | 13.6 | 13.9 | 14.4 | 15.0 | 14.4 | 14.8 | 15.3 | 15.9 | |
| HI PR | 223 | 240 | 243 | 249 | 252 | 271 | 275 | 281 | 287 | 308 | 313 | 320 | 327 | 351 | 356 | 364 | 367 | 395 | 401 | 409 | 411 | 442 | 449 | 459 | |
| Lo PR | 118 | 122 | 133 | 142 | 122 | 125 | 137 | 146 | 126 | 130 | 142 | 151 | 129 | 133 | 145 | 155 | 132 | 136 | 148 | 158 | 135 | 139 | 152 | 162 | |

IDB = Entering Indoor Dry Bulb Temperature
 High and low pressures are measured at the liquid and suction service valves.
 Shaded area reflects AHRI (TVA) conditions
 kW = Total system power
 Amps = outdoor unit amps (comp.+fan)

| IDB | AIRFLOW | OUTDOOR AMBIENT TEMPERATURE | | | | | | | | | | | | | | | | | | | | | | | | |
|------|---------|-----------------------------|------|------|------|------|------|------|------|------|------|------|------|------|------|------|------|-------|------|------|------|-------|------|------|------|---|
| | | 65°F | | | | 75°F | | | | 85°F | | | | 95°F | | | | 105°F | | | | 115°F | | | | |
| | | 59 | 63 | 67 | 71 | 59 | 63 | 67 | 71 | 59 | 63 | 67 | 71 | 59 | 63 | 67 | 71 | 59 | 63 | 67 | 71 | 59 | 63 | 67 | 71 | |
| 70 | 1520 | MBh | 42.4 | 43.9 | 48.1 | - | 41.4 | 42.9 | 47.0 | - | 40.4 | 41.9 | 45.9 | - | 39.4 | 40.8 | 44.7 | - | 37.4 | 38.8 | 42.5 | - | 34.7 | 35.9 | 39.4 | - |
| | | S/T | 0.73 | 0.61 | 0.42 | - | 0.75 | 0.63 | 0.44 | - | 0.77 | 0.65 | 0.45 | - | 0.80 | 0.67 | 0.46 | - | 0.83 | 0.69 | 0.48 | - | 0.83 | 0.70 | 0.48 | - |
| | | ΔT | 19 | 16 | 12 | - | 19 | 16 | 12 | - | 19 | 16 | 12 | - | 19 | 16 | 12 | - | 19 | 16 | 12 | - | 17 | 15 | 11 | - |
| | | kW | 2.43 | 2.49 | 2.57 | - | 2.64 | 2.70 | 2.79 | - | 2.82 | 2.89 | 2.99 | - | 2.98 | 3.05 | 3.16 | - | 3.12 | 3.19 | 3.31 | - | 3.24 | 3.31 | 3.43 | - |
| | | Amps | 9.4 | 9.6 | 10.0 | - | 10.2 | 10.4 | 10.8 | - | 11.1 | 11.4 | 11.8 | - | 11.9 | 12.2 | 12.6 | - | 14.0 | 14.3 | 14.8 | - | 14.8 | 15.1 | 15.7 | - |
| | 1350 | HI PR | 226 | 243 | 247 | - | 248 | 267 | 271 | - | 291 | 313 | 317 | - | 331 | 356 | 361 | - | 372 | 400 | 406 | - | 430 | 463 | 469 | - |
| | | Lo PR | 118 | 122 | 133 | - | 121 | 125 | 137 | - | 125 | 129 | 141 | - | 129 | 133 | 145 | - | 131 | 136 | 148 | - | 135 | 139 | 152 | - |
| | | MBh | 41.1 | 42.6 | 46.7 | - | 40.2 | 41.6 | 45.6 | - | 39.2 | 40.6 | 44.5 | - | 38.3 | 39.6 | 43.4 | - | 36.3 | 37.7 | 41.3 | - | 33.7 | 34.9 | 38.2 | - |
| | | S/T | 0.69 | 0.58 | 0.40 | - | 0.72 | 0.60 | 0.42 | - | 0.74 | 0.62 | 0.43 | - | 0.76 | 0.64 | 0.44 | - | 0.79 | 0.66 | 0.46 | - | 0.80 | 0.66 | 0.46 | - |
| | | ΔT | 19 | 17 | 13 | - | 20 | 17 | 13 | - | 20 | 17 | 13 | - | 20 | 17 | 13 | - | 20 | 17 | 13 | - | 18 | 16 | 12 | - |
| 1180 | kW | 2.41 | 2.47 | 2.55 | - | 2.61 | 2.68 | 2.77 | - | 2.80 | 2.86 | 2.96 | - | 2.95 | 3.03 | 3.13 | - | 3.09 | 3.16 | 3.28 | - | 3.21 | 3.28 | 3.40 | - | |
| | Amps | 9.3 | 9.5 | 9.9 | - | 10.1 | 10.3 | 10.7 | - | 11.0 | 11.3 | 11.7 | - | 11.8 | 12.1 | 12.5 | - | 13.8 | 14.2 | 14.7 | - | 14.6 | 15.0 | 15.5 | - | |
| | HI PR | 224 | 241 | 244 | - | 246 | 264 | 268 | - | 288 | 309 | 314 | - | 328 | 352 | 357 | - | 369 | 397 | 402 | - | 426 | 458 | 465 | - | |
| | Lo PR | 117 | 120 | 131 | - | 120 | 124 | 135 | - | 124 | 128 | 140 | - | 128 | 132 | 144 | - | 130 | 134 | 146 | - | 133 | 137 | 150 | - | |
| | MBh | 38.0 | 39.3 | 43.1 | - | 37.1 | 38.4 | 42.1 | - | 36.2 | 37.5 | 41.1 | - | 35.3 | 36.6 | 40.1 | - | 33.5 | 34.8 | 38.1 | - | 31.1 | 32.2 | 35.3 | - | |

| IDB | AIRFLOW | OUTDOOR AMBIENT TEMPERATURE | | | | | | | | | | | | | | | | | | | | | | | | |
|------|---------|-----------------------------|------|------|------|------|------|------|------|------|------|------|------|------|------|------|------|-------|------|------|------|-------|------|------|------|------|
| | | 65°F | | | | 75°F | | | | 85°F | | | | 95°F | | | | 105°F | | | | 115°F | | | | |
| | | 59 | 63 | 67 | 71 | 59 | 63 | 67 | 71 | 59 | 63 | 67 | 71 | 59 | 63 | 67 | 71 | 59 | 63 | 67 | 71 | 59 | 63 | 67 | 71 | |
| 75 | 1520 | MBh | 43.1 | 44.3 | 48.0 | 51.5 | 42.1 | 43.3 | 46.9 | 50.3 | 41.1 | 42.3 | 45.8 | 49.1 | 40.1 | 41.3 | 44.7 | 47.9 | 38.1 | 39.2 | 42.4 | 45.5 | 35.3 | 36.3 | 39.3 | 42.2 |
| | | S/T | 0.83 | 0.74 | 0.56 | 0.36 | 0.86 | 0.77 | 0.58 | 0.37 | 0.88 | 0.79 | 0.59 | 0.38 | 0.91 | 0.81 | 0.61 | 0.39 | 0.94 | 0.84 | 0.64 | 0.41 | 0.95 | 0.85 | 0.64 | 0.41 |
| | | ΔT | 22 | 20 | 16 | 11 | 22 | 20 | 16 | 11 | 22 | 20 | 16 | 11 | 22 | 20 | 17 | 11 | 22 | 20 | 16 | 11 | 20 | 19 | 15 | 11 |
| | | kW | 2.43 | 2.49 | 2.57 | 2.67 | 2.64 | 2.70 | 2.79 | 2.89 | 2.82 | 2.89 | 2.99 | 3.10 | 2.98 | 3.05 | 3.16 | 3.28 | 3.12 | 3.19 | 3.31 | 3.43 | 3.24 | 3.31 | 3.43 | 3.56 |
| | | Amps | 9.4 | 9.6 | 10.0 | 10.3 | 10.2 | 10.4 | 10.8 | 11.2 | 11.1 | 11.4 | 11.8 | 12.2 | 11.9 | 12.2 | 12.6 | 13.1 | 14.0 | 14.3 | 14.8 | 15.4 | 14.8 | 15.1 | 15.7 | 16.3 |
| | 1350 | HI PR | 226 | 243 | 247 | 252 | 248 | 267 | 271 | 277 | 291 | 313 | 317 | 324 | 331 | 356 | 361 | 369 | 372 | 400 | 406 | 415 | 430 | 463 | 469 | 480 |
| | | Lo PR | 118 | 122 | 133 | 141 | 121 | 125 | 137 | 146 | 125 | 129 | 141 | 150 | 129 | 133 | 145 | 154 | 131 | 136 | 148 | 158 | 135 | 139 | 152 | 161 |
| | | MBh | 41.8 | 43.1 | 46.6 | 50.0 | 40.8 | 42.1 | 45.5 | 48.9 | 39.9 | 41.1 | 44.4 | 47.7 | 38.9 | 40.1 | 43.4 | 46.5 | 37.0 | 38.0 | 41.2 | 44.2 | 34.2 | 35.2 | 38.1 | 40.9 |
| | | S/T | 0.79 | 0.70 | 0.53 | 0.34 | 0.82 | 0.73 | 0.55 | 0.36 | 0.84 | 0.75 | 0.57 | 0.36 | 0.86 | 0.77 | 0.59 | 0.38 | 0.90 | 0.80 | 0.61 | 0.39 | 0.90 | 0.81 | 0.61 | 0.39 |
| | | ΔT | 22 | 21 | 17 | 12 | 23 | 21 | 17 | 12 | 23 | 21 | 17 | 12 | 23 | 21 | 17 | 12 | 23 | 21 | 17 | 12 | 21 | 19 | 16 | 11 |
| 1180 | kW | 2.41 | 2.47 | 2.55 | 2.64 | 2.61 | 2.68 | 2.77 | 2.87 | 2.80 | 2.86 | 2.96 | 3.07 | 2.95 | 3.03 | 3.13 | 3.25 | 3.09 | 3.16 | 3.28 | 3.40 | 3.21 | 3.28 | 3.40 | 3.53 | |
| | Amps | 9.3 | 9.5 | 9.9 | 10.2 | 10.1 | 10.3 | 10.7 | 11.1 | 11.0 | 11.3 | 11.7 | 12.1 | 11.8 | 12.1 | 12.5 | 13.0 | 13.8 | 14.2 | 14.7 | 15.3 | 14.6 | 15.0 | 15.5 | 16.1 | |
| | HI PR | 224 | 241 | 244 | 250 | 246 | 264 | 268 | 274 | 288 | 309 | 314 | 321 | 328 | 352 | 357 | 365 | 369 | 397 | 402 | 411 | 426 | 458 | 465 | 475 | |
| | Lo PR | 117 | 120 | 131 | 140 | 120 | 124 | 135 | 144 | 124 | 128 | 140 | 149 | 128 | 132 | 144 | 153 | 130 | 134 | 146 | 156 | 133 | 137 | 150 | 160 | |
| | MBh | 38.6 | 39.7 | 43.0 | 46.2 | 37.7 | 38.8 | 42.0 | 45.1 | 36.8 | 37.9 | 41.0 | 44.0 | 35.9 | 37.0 | 40.0 | 42.9 | 34.1 | 35.1 | 38.0 | 40.8 | 31.6 | 32.5 | 35.2 | 37.8 | |

IDB = Entering Indoor Dry Bulb Temperature
 High and low pressures are measured at the liquid and suction service valves.
 Shaded area reflects ACCA (TVA) conditions
 kW = Total system power
 Amps = outdoor unit amps (comp.+fan)

| IDB | | OUTDOOR AMBIENT TEMPERATURE | | | | | | | | | | | | | | | | | | | | | | | |
|---------|--|-----------------------------|------|------|------|------|------|------|------|------|------|------|------|------|------|------|------|-------|------|------|------|-------|------|------|------|
| | | 65°F | | | | 75°F | | | | 85°F | | | | 95°F | | | | 105°F | | | | 115°F | | | |
| | | 59 | 63 | 67 | 71 | 59 | 63 | 67 | 71 | 59 | 63 | 67 | 71 | 59 | 63 | 67 | 71 | 59 | 63 | 67 | 71 | 59 | 63 | 67 | 71 |
| AIRFLOW | | 59 | 63 | 67 | 71 | 59 | 63 | 67 | 71 | 59 | 63 | 67 | 71 | 59 | 63 | 67 | 71 | 59 | 63 | 67 | 71 | 59 | 63 | 67 | 71 |
| MBh | | 43.8 | 44.8 | 47.9 | 51.2 | 42.8 | 43.8 | 46.7 | 50.0 | 41.8 | 42.7 | 45.6 | 48.8 | 40.8 | 41.7 | 44.5 | 47.6 | 38.7 | 39.6 | 42.3 | 45.2 | 35.9 | 36.7 | 39.2 | 41.9 |
| S/T | | 0.91 | 0.85 | 0.69 | 0.52 | 0.94 | 0.88 | 0.72 | 0.54 | 0.96 | 0.90 | 0.74 | 0.55 | 1.00 | 0.93 | 0.76 | 0.57 | 1.00 | 0.97 | 0.79 | 0.59 | 1.00 | 1.00 | 0.79 | 0.59 |
| ΔT | | 24 | 23 | 20 | 16 | 24 | 23 | 20 | 16 | 24 | 23 | 20 | 16 | 25 | 23 | 20 | 16 | 23 | 23 | 20 | 16 | 22 | 22 | 19 | 15 |
| kW | | 2.43 | 2.49 | 2.57 | 2.67 | 2.64 | 2.70 | 2.79 | 2.89 | 2.82 | 2.89 | 2.99 | 3.10 | 2.98 | 3.05 | 3.16 | 3.28 | 3.12 | 3.19 | 3.31 | 3.43 | 3.24 | 3.31 | 3.43 | 3.56 |
| Amps | | 9.4 | 9.6 | 10.0 | 10.3 | 10.2 | 10.4 | 10.8 | 11.2 | 11.1 | 11.4 | 11.8 | 12.2 | 11.9 | 12.2 | 12.6 | 13.1 | 14.0 | 14.3 | 14.8 | 15.4 | 14.8 | 15.1 | 15.7 | 16.3 |
| HI PR | | 226 | 243 | 247 | 252 | 248 | 267 | 271 | 277 | 291 | 313 | 317 | 324 | 331 | 356 | 361 | 369 | 372 | 400 | 406 | 415 | 430 | 463 | 469 | 480 |
| Lo PR | | 118 | 122 | 133 | 141 | 121 | 125 | 137 | 146 | 125 | 129 | 141 | 150 | 129 | 133 | 145 | 154 | 131 | 136 | 148 | 158 | 135 | 139 | 152 | 161 |
| 80 | | 42.6 | 43.5 | 46.5 | 49.7 | 41.6 | 42.5 | 45.4 | 48.5 | 40.6 | 41.5 | 44.3 | 47.4 | 39.6 | 40.5 | 43.2 | 46.2 | 37.6 | 38.4 | 41.1 | 43.9 | 34.8 | 35.6 | 38.0 | 40.7 |
| S/T | | 0.86 | 0.81 | 0.66 | 0.49 | 0.90 | 0.84 | 0.68 | 0.51 | 0.92 | 0.86 | 0.70 | 0.52 | 0.95 | 0.89 | 0.72 | 0.54 | 0.98 | 0.92 | 0.75 | 0.56 | 0.99 | 0.93 | 0.76 | 0.57 |
| ΔT | | 25 | 24 | 21 | 17 | 25 | 24 | 21 | 17 | 25 | 24 | 21 | 17 | 26 | 24 | 21 | 17 | 25 | 24 | 21 | 17 | 24 | 23 | 20 | 16 |
| kW | | 2.41 | 2.47 | 2.55 | 2.64 | 2.61 | 2.68 | 2.77 | 2.87 | 2.80 | 2.86 | 2.96 | 3.07 | 2.95 | 3.03 | 3.13 | 3.25 | 3.09 | 3.16 | 3.28 | 3.40 | 3.21 | 3.28 | 3.40 | 3.53 |
| Amps | | 9.3 | 9.5 | 9.9 | 10.2 | 10.1 | 10.3 | 10.7 | 11.1 | 11.0 | 11.3 | 11.7 | 12.1 | 11.8 | 12.1 | 12.5 | 13.0 | 13.8 | 14.2 | 14.7 | 15.3 | 14.6 | 15.0 | 15.5 | 16.1 |
| HI PR | | 224 | 241 | 244 | 250 | 246 | 264 | 268 | 274 | 288 | 309 | 314 | 321 | 328 | 352 | 357 | 365 | 369 | 397 | 402 | 411 | 426 | 458 | 465 | 475 |
| Lo PR | | 117 | 120 | 131 | 140 | 120 | 124 | 135 | 144 | 124 | 128 | 140 | 149 | 128 | 132 | 144 | 153 | 130 | 134 | 146 | 156 | 133 | 137 | 150 | 160 |
| 1180 | | 39.3 | 40.1 | 42.9 | 45.8 | 38.4 | 39.2 | 41.9 | 44.8 | 37.5 | 38.3 | 40.9 | 43.7 | 36.5 | 37.3 | 39.9 | 42.6 | 34.7 | 35.5 | 37.9 | 40.5 | 32.2 | 32.9 | 35.1 | 37.5 |
| S/T | | 0.83 | 0.78 | 0.64 | 0.48 | 0.86 | 0.81 | 0.66 | 0.49 | 0.89 | 0.83 | 0.68 | 0.51 | 0.91 | 0.86 | 0.70 | 0.52 | 0.95 | 0.89 | 0.72 | 0.54 | 0.96 | 0.90 | 0.73 | 0.55 |
| ΔT | | 26 | 24 | 21 | 17 | 26 | 25 | 22 | 17 | 26 | 25 | 22 | 17 | 26 | 25 | 22 | 17 | 26 | 25 | 21 | 17 | 24 | 23 | 20 | 16 |
| kW | | 2.39 | 2.44 | 2.53 | 2.62 | 2.59 | 2.65 | 2.75 | 2.84 | 2.77 | 2.84 | 2.94 | 3.04 | 2.93 | 3.00 | 3.10 | 3.22 | 3.06 | 3.14 | 3.25 | 3.37 | 3.18 | 3.25 | 3.37 | 3.49 |
| Amps | | 9.2 | 9.4 | 9.8 | 10.1 | 10.0 | 10.2 | 10.6 | 11.0 | 10.9 | 11.2 | 11.6 | 12.0 | 11.7 | 12.0 | 12.4 | 12.9 | 13.7 | 14.0 | 14.5 | 15.1 | 14.5 | 14.8 | 15.4 | 16.0 |
| HI PR | | 222 | 238 | 242 | 247 | 243 | 262 | 265 | 271 | 285 | 306 | 311 | 318 | 325 | 349 | 354 | 362 | 365 | 393 | 398 | 407 | 422 | 454 | 460 | 470 |
| Lo PR | | 116 | 119 | 130 | 139 | 119 | 123 | 134 | 143 | 123 | 127 | 138 | 147 | 126 | 130 | 142 | 151 | 129 | 133 | 145 | 154 | 132 | 136 | 149 | 158 |

| | | | | | | | | | | | | | | | | | | | | | | | | | |
|-------|--|------|------|------|------|------|------|------|------|------|------|------|------|------|------|------|------|------|------|------|------|------|------|------|------|
| 1520 | | 44.6 | 45.5 | 47.6 | 50.8 | 43.6 | 44.4 | 46.5 | 49.6 | 42.5 | 43.4 | 45.4 | 48.4 | 41.5 | 42.3 | 44.3 | 47.3 | 39.4 | 40.2 | 42.1 | 44.9 | 36.5 | 37.2 | 39.0 | 41.6 |
| S/T | | 0.95 | 0.92 | 0.83 | 0.67 | 0.98 | 0.95 | 0.86 | 0.70 | 1.00 | 0.97 | 0.88 | 0.71 | 1.00 | 1.00 | 0.91 | 0.74 | 1.00 | 1.00 | 0.94 | 0.76 | 1.00 | 1.00 | 0.95 | 0.77 |
| ΔT | | 26 | 25 | 24 | 21 | 26 | 26 | 24 | 21 | 26 | 26 | 24 | 21 | 25 | 26 | 24 | 21 | 24 | 24 | 24 | 21 | 22 | 23 | 22 | 19 |
| kW | | 2.43 | 2.49 | 2.57 | 2.67 | 2.64 | 2.70 | 2.79 | 2.89 | 2.82 | 2.89 | 2.99 | 3.10 | 2.98 | 3.05 | 3.16 | 3.28 | 3.12 | 3.19 | 3.31 | 3.43 | 3.24 | 3.31 | 3.43 | 3.56 |
| Amps | | 9.4 | 9.6 | 10.0 | 10.3 | 10.2 | 10.4 | 10.8 | 11.2 | 11.1 | 11.4 | 11.8 | 12.2 | 11.9 | 12.2 | 12.6 | 13.1 | 14.0 | 14.3 | 14.8 | 15.4 | 14.8 | 15.1 | 15.7 | 16.3 |
| HI PR | | 226 | 243 | 247 | 252 | 248 | 267 | 271 | 277 | 291 | 313 | 317 | 324 | 331 | 356 | 361 | 369 | 372 | 400 | 406 | 415 | 430 | 463 | 469 | 480 |
| Lo PR | | 118 | 122 | 133 | 141 | 121 | 125 | 137 | 146 | 125 | 129 | 141 | 150 | 129 | 133 | 145 | 154 | 131 | 136 | 148 | 158 | 135 | 139 | 152 | 161 |
| 85 | | 43.3 | 44.1 | 46.2 | 49.3 | 42.3 | 43.1 | 45.2 | 48.2 | 41.3 | 42.1 | 44.1 | 47.0 | 40.3 | 41.1 | 43.0 | 45.9 | 38.3 | 39.0 | 40.9 | 43.6 | 35.4 | 36.1 | 37.8 | 40.4 |
| S/T | | 0.91 | 0.87 | 0.79 | 0.64 | 0.94 | 0.91 | 0.82 | 0.66 | 0.96 | 0.93 | 0.84 | 0.68 | 0.99 | 0.96 | 0.87 | 0.70 | 1.00 | 1.00 | 0.90 | 0.73 | 1.00 | 1.00 | 0.91 | 0.73 |
| ΔT | | 27 | 26 | 25 | 22 | 27 | 27 | 25 | 22 | 27 | 27 | 25 | 22 | 27 | 27 | 25 | 22 | 26 | 26 | 25 | 22 | 24 | 25 | 23 | 20 |
| kW | | 2.41 | 2.47 | 2.55 | 2.64 | 2.61 | 2.68 | 2.77 | 2.87 | 2.80 | 2.86 | 2.96 | 3.07 | 2.95 | 3.03 | 3.13 | 3.25 | 3.09 | 3.16 | 3.28 | 3.40 | 3.21 | 3.28 | 3.40 | 3.53 |
| Amps | | 9.3 | 9.5 | 9.9 | 10.2 | 10.1 | 10.3 | 10.7 | 11.1 | 11.0 | 11.3 | 11.7 | 12.1 | 11.8 | 12.1 | 12.5 | 13.0 | 13.8 | 14.2 | 14.7 | 15.3 | 14.6 | 15.0 | 15.5 | 16.1 |
| HI PR | | 224 | 241 | 244 | 250 | 246 | 264 | 268 | 274 | 288 | 309 | 314 | 321 | 328 | 352 | 357 | 365 | 369 | 397 | 402 | 411 | 426 | 458 | 465 | 475 |
| Lo PR | | 117 | 120 | 131 | 140 | 120 | 124 | 135 | 144 | 124 | 128 | 140 | 149 | 128 | 132 | 144 | 153 | 130 | 134 | 146 | 156 | 133 | 137 | 150 | 160 |
| 1180 | | 40.0 | 40.7 | 42.7 | 45.5 | 39.0 | 39.8 | 41.7 | 44.5 | 38.1 | 38.8 | 40.7 | 43.4 | 37.2 | 37.9 | 39.7 | 42.3 | 35.3 | 36.0 | 37.7 | 40.2 | 32.7 | 33.4 | 34.9 | 37.3 |
| S/T | | 0.87 | 0.84 | 0.76 | 0.62 | 0.91 | 0.87 | 0.79 | 0.64 | 0.93 | 0.90 | 0.81 | 0.66 | 0.96 | 0.92 | 0.83 | 0.68 | 0.99 | 0.96 | 0.87 | 0.70 | 1.00 | 0.97 | 0.87 | 0.71 |
| ΔT | | 27.2 | 27 | 25 | 22 | 28 | 27 | 26 | 22 | 28 | 27 | 26 | 22 | 28 | 27 | 26 | 22 | 27 | 27 | 25 | 22 | 25 | 25 | 24 | 21 |
| kW | | 2.39 | 2.44 | 2.53 | 2.62 | 2.59 | 2.65 | 2.75 | 2.84 | 2.77 | 2.84 | 2.94 | 3.04 | 2.93 | 3.00 | 3.10 | 3.22 | 3.06 | 3.14 | 3.25 | 3.37 | 3.18 | 3.25 | 3.37 | 3.49 |
| Amps | | 9.2 | 9.4 | 9.8 | 10.1 | 10.0 | 10.2 | 10.6 | 11.0 | 10.9 | 11.2 | 11.6 | 12.0 | 11.7 | 12.0 | 12.4 | 12.9 | 13.7 | 14.0 | 14.5 | 15.1 | 14.5 | 14.8 | 15.4 | 16.0 |
| HI PR | | 222 | 238 | 242 | 247 | 243 | 262 | 265 | 271 | 285 | 306 | 311 | 318 | 325 | 349 | 354 | 362 | 365 | 393 | 398 | 407 | 422 | 454 | 460 | 470 |
| Lo PR | | 116 | 119 | 130 | 139 | 119 | 123 | 134 | 143 | 123 | 127 | 138 | 147 | 126 | 130 | 142 | 151 | 129 | 133 | 145 | 154 | 132 | 136 | 149 | 158 |

IDB = Entering Indoor Dry Bulb Temperature
 High and low pressures are measured at the liquid and suction service valves.
 Shaded area reflects AHRI (TVA) conditions
 kW = Total system power
 Amps = outdoor unit amps (comp.+fan)

| IDB | | OUTDOOR AMBIENT TEMPERATURE | | | | | | | | | | | | | | | | | | | | | | | | | | | | | | | | | | | | |
|------|-------|-----------------------------|------|------|------|------|------|------|------|------|------|------|------|------|------|------|------|------|------|------|------|------|------|------|------|-------|------|------|------|---|--|-------|--|--|----|--|--|----|
| | | 65°F | | | | | | 75°F | | | | | | 85°F | | | | | | 95°F | | | | | | 105°F | | | | | | 115°F | | | | | | |
| | | AIRFLOW | | | 59 | | | 63 | | | 67 | | | 71 | | | 59 | | | 63 | | | 67 | | | 71 | | | 59 | | | 63 | | | 67 | | | 71 |
| 70 | 2250 | MBh | 58.5 | 60.6 | 66.4 | - | 57.1 | 59.2 | 64.9 | - | 55.8 | 57.8 | 63.3 | - | 54.4 | 56.4 | 61.8 | - | 51.7 | 53.6 | 58.7 | - | 47.9 | 49.6 | 54.4 | - | 46.5 | 48.2 | 52.8 | - | | | | | | | | |
| | | S/T | 0.73 | 0.61 | 0.42 | - | 0.76 | 0.63 | 0.44 | - | 0.78 | 0.65 | 0.45 | - | 0.80 | 0.67 | 0.47 | - | 0.83 | 0.70 | 0.48 | - | 0.84 | 0.70 | 0.49 | - | 0.80 | 0.67 | 0.46 | - | | | | | | | | |
| | | ΔT | 18 | 15 | 12 | - | 18 | 15 | 12 | - | 18 | 15 | 12 | - | 18 | 15 | 12 | - | 18 | 15 | 12 | - | 16 | 14 | 11 | - | 17 | 15 | 11 | - | | | | | | | | |
| | | kW | 3.87 | 3.96 | 4.09 | - | 4.18 | 4.27 | 4.41 | - | 4.45 | 4.55 | 4.70 | - | 4.69 | 4.80 | 4.96 | - | 4.89 | 5.00 | 5.17 | - | 5.07 | 5.18 | 5.36 | - | 5.02 | 5.14 | 5.31 | - | | | | | | | | |
| | | Amps | 13.8 | 14.2 | 14.7 | - | 15.0 | 15.4 | 15.9 | - | 16.4 | 16.8 | 17.4 | - | 17.6 | 18.0 | 18.7 | - | 20.6 | 21.2 | 21.9 | - | 21.8 | 22.4 | 23.2 | - | 21.6 | 22.2 | 23.0 | - | | | | | | | | |
| | 2000 | HI PR | 241 | 259 | 263 | - | 265 | 285 | 289 | - | 310 | 333 | 338 | - | 353 | 380 | 385 | - | 397 | 427 | 433 | - | 459 | 493 | 500 | - | 454 | 488 | 495 | - | | | | | | | | |
| | | Lo PR | 115 | 119 | 130 | - | 118 | 122 | 133 | - | 123 | 126 | 138 | - | 126 | 130 | 142 | - | 128 | 132 | 144 | - | 131 | 136 | 148 | - | 130 | 134 | 147 | - | | | | | | | | |
| | | MBh | 56.8 | 58.9 | 64.5 | - | 55.5 | 57.5 | 63.0 | - | 54.2 | 56.1 | 61.5 | - | 52.8 | 54.8 | 60.0 | - | 50.2 | 52.0 | 57.0 | - | 46.5 | 48.2 | 52.8 | - | 46.5 | 48.2 | 52.8 | - | | | | | | | | |
| | | S/T | 0.70 | 0.58 | 0.40 | - | 0.72 | 0.60 | 0.42 | - | 0.74 | 0.62 | 0.43 | - | 0.77 | 0.64 | 0.44 | - | 0.80 | 0.66 | 0.46 | - | 0.80 | 0.67 | 0.46 | - | 0.80 | 0.67 | 0.46 | - | | | | | | | | |
| | | ΔT | 18 | 16 | 12 | - | 18 | 16 | 12 | - | 18 | 16 | 12 | - | 19 | 16 | 12 | - | 18 | 16 | 12 | - | 17 | 15 | 11 | - | 17 | 15 | 11 | - | | | | | | | | |
| 1750 | kW | 3.84 | 3.93 | 4.05 | - | 4.15 | 4.24 | 4.38 | - | 4.41 | 4.51 | 4.66 | - | 4.65 | 4.75 | 4.91 | - | 4.85 | 4.96 | 5.13 | - | 5.02 | 5.14 | 5.31 | - | 5.02 | 5.14 | 5.31 | - | | | | | | | | | |
| | Amps | 13.7 | 14.0 | 14.5 | - | 14.9 | 15.2 | 15.8 | - | 16.2 | 16.6 | 17.2 | - | 17.4 | 17.8 | 18.5 | - | 20.4 | 21.0 | 21.7 | - | 21.6 | 22.2 | 23.0 | - | 21.6 | 22.2 | 23.0 | - | | | | | | | | | |
| | HI PR | 239 | 257 | 260 | - | 262 | 282 | 286 | - | 307 | 330 | 335 | - | 349 | 376 | 381 | - | 393 | 423 | 429 | - | 454 | 488 | 495 | - | 454 | 488 | 495 | - | | | | | | | | | |
| | Lo PR | 114 | 118 | 128 | - | 117 | 121 | 132 | - | 121 | 125 | 137 | - | 125 | 128 | 140 | - | 127 | 131 | 143 | - | 130 | 134 | 147 | - | 130 | 134 | 147 | - | | | | | | | | | |
| | MBh | 52.4 | 54.3 | 59.5 | - | 51.2 | 53.1 | 58.1 | - | 50.0 | 51.8 | 56.8 | - | 48.8 | 50.5 | 55.4 | - | 46.3 | 48.0 | 52.6 | - | 42.9 | 44.5 | 48.7 | - | 42.9 | 44.5 | 48.7 | - | | | | | | | | | |

| IDB | | OUTDOOR AMBIENT TEMPERATURE | | | | | | | | | | | | | | | | | | | | | | | | | | | | | | | | | | | | |
|------|-------|-----------------------------|------|------|------|------|------|------|------|------|------|------|------|------|------|------|------|------|------|------|------|------|------|------|------|-------|------|------|------|------|----|-------|--|--|----|--|--|----|
| | | 65°F | | | | | | 75°F | | | | | | 85°F | | | | | | 95°F | | | | | | 105°F | | | | | | 115°F | | | | | | |
| | | AIRFLOW | | | 59 | | | 63 | | | 67 | | | 71 | | | 59 | | | 63 | | | 67 | | | 71 | | | 59 | | | 63 | | | 67 | | | 71 |
| 75 | 2250 | MBh | 59.5 | 61.3 | 66.3 | 71.2 | 58.1 | 59.8 | 64.8 | 69.5 | 56.7 | 58.4 | 63.2 | 67.8 | 55.3 | 57.0 | 61.7 | 66.2 | 52.6 | 54.1 | 58.6 | 62.9 | 48.7 | 50.1 | 54.3 | 58.3 | 48.7 | 50.1 | 54.3 | 58.3 | | | | | | | | |
| | | S/T | 0.83 | 0.75 | 0.56 | 0.36 | 0.86 | 0.77 | 0.58 | 0.38 | 0.89 | 0.79 | 0.60 | 0.39 | 0.91 | 0.82 | 0.62 | 0.40 | 0.95 | 0.85 | 0.64 | 0.41 | 0.96 | 0.86 | 0.65 | 0.42 | 0.96 | 0.86 | 0.65 | 0.42 | | | | | | | | |
| | | ΔT | 20 | 19 | 15 | 11 | 20 | 19 | 15 | 11 | 21 | 19 | 15 | 11 | 21 | 19 | 16 | 11 | 21 | 20 | 19 | 15 | 11 | 19 | 18 | 14 | 10 | 19 | 18 | 14 | 10 | | | | | | | |
| | | kW | 3.87 | 3.96 | 4.09 | 4.22 | 4.18 | 4.27 | 4.41 | 4.56 | 4.45 | 4.55 | 4.70 | 4.86 | 4.69 | 4.80 | 4.96 | 5.13 | 4.89 | 5.00 | 5.17 | 5.35 | 5.07 | 5.18 | 5.36 | 5.55 | 5.07 | 5.18 | 5.36 | 5.55 | | | | | | | | |
| | | Amps | 13.8 | 14.2 | 14.7 | 15.2 | 15.0 | 15.4 | 15.9 | 16.6 | 16.4 | 16.8 | 17.4 | 18.1 | 17.6 | 18.0 | 18.7 | 19.4 | 20.6 | 21.2 | 21.9 | 22.8 | 21.8 | 22.4 | 23.2 | 24.1 | 21.8 | 22.4 | 23.2 | 24.1 | | | | | | | | |
| | 2000 | HI PR | 241 | 259 | 263 | 269 | 265 | 285 | 289 | 295 | 310 | 333 | 338 | 345 | 353 | 380 | 385 | 393 | 397 | 427 | 433 | 443 | 459 | 493 | 500 | 511 | 459 | 493 | 500 | 511 | | | | | | | | |
| | | Lo PR | 115 | 119 | 130 | 138 | 118 | 122 | 133 | 142 | 123 | 126 | 138 | 147 | 126 | 130 | 142 | 151 | 128 | 132 | 144 | 154 | 131 | 136 | 148 | 158 | 131 | 136 | 148 | 158 | | | | | | | | |
| | | MBh | 57.8 | 59.5 | 64.4 | 69.1 | 56.4 | 58.1 | 62.9 | 67.5 | 55.1 | 56.7 | 61.4 | 65.9 | 53.7 | 55.3 | 59.9 | 64.3 | 51.0 | 52.6 | 56.9 | 61.1 | 47.3 | 48.7 | 52.7 | 56.6 | 47.3 | 48.7 | 52.7 | 56.6 | | | | | | | | |
| | | S/T | 0.79 | 0.71 | 0.54 | 0.35 | 0.82 | 0.74 | 0.56 | 0.36 | 0.84 | 0.76 | 0.57 | 0.37 | 0.87 | 0.78 | 0.59 | 0.38 | 0.90 | 0.81 | 0.61 | 0.39 | 0.91 | 0.82 | 0.62 | 0.40 | 0.91 | 0.82 | 0.62 | 0.40 | | | | | | | | |
| | | ΔT | 21 | 19 | 16 | 11 | 21 | 20 | 16 | 11 | 21 | 20 | 16 | 11 | 22 | 20 | 16 | 11 | 21 | 20 | 16 | 11 | 20 | 18 | 15 | 10 | 20 | 18 | 15 | 10 | | | | | | | | |
| 1750 | kW | 3.84 | 3.93 | 4.05 | 4.19 | 4.15 | 4.24 | 4.38 | 4.52 | 4.41 | 4.51 | 4.66 | 4.82 | 4.65 | 4.75 | 4.91 | 5.08 | 4.85 | 4.96 | 5.13 | 5.31 | 5.02 | 5.14 | 5.31 | 5.50 | 5.02 | 5.14 | 5.31 | 5.50 | | | | | | | | | |
| | Amps | 13.7 | 14.0 | 14.5 | 15.1 | 14.9 | 15.2 | 15.8 | 16.4 | 16.2 | 16.6 | 17.2 | 17.9 | 17.4 | 17.8 | 18.5 | 19.2 | 20.4 | 21.0 | 21.7 | 22.6 | 21.6 | 22.2 | 23.0 | 23.9 | 21.6 | 22.2 | 23.0 | 23.9 | | | | | | | | | |
| | HI PR | 239 | 257 | 260 | 266 | 262 | 282 | 286 | 292 | 307 | 330 | 335 | 342 | 349 | 376 | 381 | 389 | 393 | 423 | 429 | 438 | 454 | 488 | 495 | 506 | 454 | 488 | 495 | 506 | | | | | | | | | |
| | Lo PR | 114 | 118 | 128 | 137 | 117 | 121 | 132 | 141 | 121 | 125 | 137 | 145 | 125 | 128 | 140 | 149 | 127 | 131 | 143 | 152 | 130 | 134 | 147 | 156 | 130 | 134 | 147 | 156 | | | | | | | | | |
| | MBh | 53.3 | 54.9 | 59.4 | 63.8 | 52.1 | 53.6 | 58.0 | 62.3 | 50.8 | 52.3 | 56.7 | 60.8 | 49.6 | 51.1 | 55.3 | 59.3 | 47.1 | 48.5 | 52.5 | 56.4 | 43.6 | 44.9 | 48.6 | 52.2 | 43.6 | 44.9 | 48.6 | 52.2 | | | | | | | | | |

IDB = Entering Indoor Dry Bulb Temperature
 High and low pressures are measured at the liquid and suction service valves.
 Shaded area reflects ACCA (TVA) conditions
 kW = Total system power
 Amps = outdoor unit amps (comp.+fan)

| | | OUTDOOR AMBIENT TEMPERATURE | | | | | | | | | | | | | | | | | | | | | | | |
|-------|---------|-----------------------------|------|------|------|------|------|------|------|------|------|------|------|------|------|------|------|-------|------|------|------|-------|------|------|------|
| | | 65°F | | | | 75°F | | | | 85°F | | | | 95°F | | | | 105°F | | | | 115°F | | | |
| IDB | AIRFLOW | 59 | 63 | 67 | 71 | 59 | 63 | 67 | 71 | 59 | 63 | 67 | 71 | 59 | 63 | 67 | 71 | 59 | 63 | 67 | 71 | 59 | 63 | 67 | 71 |
| | MBh | 60.6 | 61.9 | 66.1 | 70.7 | 59.1 | 60.4 | 64.6 | 69.0 | 57.7 | 59.0 | 63.0 | 67.4 | 56.3 | 57.6 | 61.5 | 65.7 | 53.5 | 54.7 | 58.4 | 62.4 | 49.6 | 50.6 | 54.1 | 57.8 |
| | S/T | 0.91 | 0.86 | 0.70 | 0.52 | 0.95 | 0.89 | 0.72 | 0.54 | 1.00 | 0.91 | 0.74 | 0.55 | 1.00 | 0.94 | 0.77 | 0.57 | 1.00 | 1.00 | 0.79 | 0.59 | 1.00 | 1.00 | 0.80 | 0.60 |
| | ΔT | 23 | 22 | 19 | 15 | 23 | 22 | 19 | 15 | 24 | 22 | 19 | 15 | 23 | 22 | 19 | 15 | 22 | 22 | 19 | 15 | 20 | 21 | 18 | 14 |
| 2250 | kW | 3.87 | 3.96 | 4.09 | 4.22 | 4.18 | 4.27 | 4.41 | 4.56 | 4.45 | 4.55 | 4.70 | 4.86 | 4.69 | 4.80 | 4.96 | 5.13 | 4.89 | 5.00 | 5.17 | 5.35 | 5.07 | 5.18 | 5.36 | 5.55 |
| | Amps | 13.8 | 14.2 | 14.7 | 15.2 | 15.0 | 15.4 | 15.9 | 16.6 | 16.4 | 16.8 | 17.4 | 18.1 | 17.6 | 18.0 | 18.7 | 19.4 | 20.6 | 21.2 | 21.9 | 22.8 | 21.8 | 22.4 | 23.2 | 24.1 |
| | HI PR | 241 | 259 | 263 | 269 | 265 | 285 | 289 | 295 | 310 | 333 | 338 | 345 | 353 | 380 | 385 | 393 | 397 | 427 | 433 | 443 | 459 | 493 | 500 | 511 |
| | Lo PR | 115 | 119 | 130 | 138 | 118 | 122 | 133 | 142 | 123 | 126 | 138 | 147 | 126 | 130 | 142 | 151 | 128 | 132 | 144 | 154 | 131 | 136 | 148 | 158 |
| 80 | MBh | 58.8 | 60.1 | 64.2 | 68.6 | 57.4 | 58.7 | 62.7 | 67.0 | 56.1 | 57.3 | 61.2 | 65.4 | 54.7 | 55.9 | 59.7 | 63.8 | 52.0 | 53.1 | 56.7 | 60.6 | 48.1 | 49.2 | 52.5 | 56.2 |
| | S/T | 0.87 | 0.82 | 0.67 | 0.50 | 0.90 | 0.85 | 0.69 | 0.52 | 0.93 | 0.87 | 0.71 | 0.53 | 0.96 | 0.90 | 0.73 | 0.55 | 0.99 | 0.93 | 0.76 | 0.57 | 1.00 | 0.94 | 0.76 | 0.57 |
| | ΔT | 24 | 23 | 20 | 16 | 24 | 23 | 20 | 16 | 24 | 23 | 20 | 16 | 24 | 23 | 20 | 16 | 24 | 23 | 20 | 16 | 22 | 21 | 18 | 15 |
| | kW | 3.84 | 3.93 | 4.05 | 4.19 | 4.15 | 4.24 | 4.38 | 4.52 | 4.41 | 4.51 | 4.66 | 4.82 | 4.65 | 4.75 | 4.91 | 5.08 | 4.85 | 4.96 | 5.13 | 5.31 | 5.02 | 5.14 | 5.31 | 5.50 |
| | Amps | 13.7 | 14.0 | 14.5 | 15.1 | 14.9 | 15.2 | 15.8 | 16.4 | 16.2 | 16.6 | 17.2 | 17.9 | 17.4 | 17.8 | 18.5 | 19.2 | 20.4 | 21.0 | 21.7 | 22.6 | 21.6 | 22.2 | 23.0 | 23.9 |
| | HI PR | 239 | 257 | 260 | 266 | 262 | 282 | 286 | 292 | 307 | 330 | 335 | 342 | 349 | 376 | 381 | 389 | 393 | 423 | 429 | 438 | 454 | 488 | 495 | 506 |
| | Lo PR | 114 | 118 | 128 | 137 | 117 | 121 | 132 | 141 | 121 | 125 | 137 | 145 | 125 | 128 | 140 | 149 | 127 | 131 | 143 | 152 | 130 | 134 | 147 | 156 |
| | MBh | 54.3 | 55.4 | 59.2 | 63.3 | 53.0 | 54.2 | 57.9 | 61.9 | 51.7 | 52.9 | 56.5 | 60.4 | 50.5 | 51.6 | 55.1 | 58.9 | 48.0 | 49.0 | 52.3 | 56.0 | 44.4 | 45.4 | 48.5 | 51.8 |
| S/T | 0.84 | 0.79 | 0.64 | 0.48 | 0.87 | 0.82 | 0.66 | 0.50 | 0.89 | 0.84 | 0.68 | 0.51 | 0.92 | 0.86 | 0.70 | 0.53 | 0.96 | 0.90 | 0.73 | 0.55 | 0.96 | 0.90 | 0.74 | 0.55 | |
| ΔT | 24 | 23 | 20 | 16 | 24 | 23 | 20 | 16 | 24 | 23 | 20 | 16 | 24 | 23 | 20 | 16 | 24 | 23 | 20 | 16 | 23 | 22 | 19 | 15 | |
| kW | 3.81 | 3.89 | 4.02 | 4.15 | 4.11 | 4.20 | 4.34 | 4.49 | 4.38 | 4.47 | 4.62 | 4.78 | 4.61 | 4.71 | 4.87 | 5.04 | 4.81 | 4.92 | 5.08 | 5.26 | 4.98 | 5.09 | 5.27 | 5.45 | |
| Amps | 13.5 | 13.9 | 14.4 | 14.9 | 14.7 | 15.1 | 15.6 | 16.2 | 16.1 | 16.5 | 17.1 | 17.7 | 17.2 | 17.7 | 18.3 | 19.0 | 20.2 | 20.8 | 21.5 | 22.3 | 21.4 | 22.0 | 22.7 | 23.6 | |
| HI PR | 236 | 254 | 258 | 263 | 259 | 279 | 283 | 289 | 304 | 327 | 331 | 339 | 346 | 372 | 377 | 386 | 389 | 419 | 424 | 434 | 450 | 484 | 490 | 501 | |
| Lo PR | 113 | 116 | 127 | 135 | 116 | 120 | 131 | 139 | 120 | 124 | 135 | 144 | 123 | 127 | 139 | 148 | 126 | 130 | 142 | 151 | 129 | 133 | 145 | 155 | |

| | | | | | | | | | | | | | | | | | | | | | | | | | |
|-------|-------|------|------|------|------|------|------|------|------|------|------|------|------|------|------|------|------|------|------|------|------|------|------|------|------|
| 2250 | MBh | 61.6 | 62.8 | 65.8 | 70.2 | 60.2 | 61.3 | 64.2 | 68.5 | 58.7 | 59.9 | 62.7 | 66.9 | 57.3 | 58.4 | 61.2 | 65.3 | 54.4 | 55.5 | 58.1 | 62.0 | 50.4 | 51.4 | 53.8 | 57.4 |
| | S/T | 0.96 | 0.92 | 0.83 | 0.68 | 0.99 | 0.96 | 0.86 | 0.70 | 1.00 | 0.98 | 0.89 | 0.72 | 1.00 | 1.00 | 0.91 | 0.74 | 1.00 | 1.00 | 0.95 | 0.77 | 1.00 | 1.00 | 0.96 | 0.78 |
| | ΔT | 24 | 24 | 22 | 19 | 24 | 24 | 23 | 20 | 24 | 24 | 23 | 20 | 23 | 24 | 23 | 20 | 22 | 23 | 23 | 20 | 21 | 21 | 21 | 18 |
| | kW | 3.87 | 3.96 | 4.09 | 4.22 | 4.18 | 4.27 | 4.41 | 4.56 | 4.45 | 4.55 | 4.70 | 4.86 | 4.69 | 4.80 | 4.96 | 5.13 | 4.89 | 5.00 | 5.17 | 5.35 | 5.07 | 5.18 | 5.36 | 5.55 |
| | Amps | 13.8 | 14.2 | 14.7 | 15.2 | 15.0 | 15.4 | 15.9 | 16.6 | 16.4 | 16.8 | 17.4 | 18.1 | 17.6 | 18.0 | 18.7 | 19.4 | 20.6 | 21.2 | 21.9 | 22.8 | 21.8 | 22.4 | 23.2 | 24.1 |
| 2000 | HI PR | 241 | 259 | 263 | 269 | 265 | 285 | 289 | 295 | 310 | 333 | 338 | 345 | 353 | 380 | 385 | 393 | 397 | 427 | 433 | 443 | 459 | 493 | 500 | 511 |
| | Lo PR | 115 | 119 | 130 | 138 | 118 | 122 | 133 | 142 | 123 | 126 | 138 | 147 | 126 | 130 | 142 | 151 | 128 | 132 | 144 | 154 | 131 | 136 | 148 | 158 |
| | MBh | 59.8 | 61.0 | 63.9 | 68.1 | 58.4 | 59.6 | 62.4 | 66.5 | 57.0 | 58.1 | 60.9 | 65.0 | 55.6 | 56.7 | 59.4 | 63.4 | 52.9 | 53.9 | 56.4 | 60.2 | 49.0 | 49.9 | 52.3 | 55.8 |
| | S/T | 0.91 | 0.88 | 0.80 | 0.65 | 0.95 | 0.91 | 0.82 | 0.67 | 0.97 | 0.94 | 0.85 | 0.69 | 1.00 | 0.97 | 0.87 | 0.71 | 1.00 | 1.00 | 0.91 | 0.73 | 1.00 | 1.00 | 0.91 | 0.74 |
| | ΔT | 25 | 25 | 23 | 20 | 25 | 25 | 24 | 20 | 25 | 25 | 24 | 20 | 26 | 25 | 24 | 21 | 24 | 25 | 23 | 20 | 23 | 23 | 22 | 19 |
| 1750 | kW | 3.84 | 3.93 | 4.05 | 4.19 | 4.15 | 4.24 | 4.38 | 4.52 | 4.41 | 4.51 | 4.66 | 4.82 | 4.65 | 4.75 | 4.91 | 5.08 | 4.85 | 4.96 | 5.13 | 5.31 | 5.02 | 5.14 | 5.31 | 5.50 |
| | Amps | 13.7 | 14.0 | 14.5 | 15.1 | 14.9 | 15.2 | 15.8 | 16.4 | 16.2 | 16.6 | 17.2 | 17.9 | 17.4 | 17.8 | 18.5 | 19.2 | 20.4 | 21.0 | 21.7 | 22.6 | 21.6 | 22.2 | 23.0 | 23.9 |
| | HI PR | 239 | 257 | 260 | 266 | 262 | 282 | 286 | 292 | 307 | 330 | 335 | 342 | 349 | 376 | 381 | 389 | 393 | 423 | 429 | 438 | 454 | 488 | 495 | 506 |
| | Lo PR | 114 | 118 | 128 | 137 | 117 | 121 | 132 | 141 | 121 | 125 | 137 | 145 | 125 | 128 | 140 | 149 | 127 | 131 | 143 | 152 | 130 | 134 | 147 | 156 |
| | MBh | 55.2 | 56.3 | 58.9 | 62.9 | 53.9 | 55.0 | 57.6 | 61.4 | 52.6 | 53.7 | 56.2 | 60.0 | 51.4 | 52.4 | 54.8 | 58.5 | 48.8 | 49.7 | 52.1 | 55.6 | 45.2 | 46.1 | 48.2 | 51.5 |
| 85 | S/T | 0.88 | 0.85 | 0.77 | 0.62 | 0.91 | 0.88 | 0.79 | 0.64 | 0.94 | 0.90 | 0.82 | 0.66 | 0.97 | 0.93 | 0.84 | 0.68 | 1.00 | 0.97 | 0.87 | 0.71 | 1.00 | 0.98 | 0.88 | 0.71 |
| | ΔT | 26 | 25 | 24 | 21 | 26 | 25 | 24 | 21 | 26 | 25 | 24 | 21 | 26 | 26 | 24 | 21 | 26 | 25 | 24 | 21 | 24 | 24 | 22 | 19 |
| | kW | 3.81 | 3.89 | 4.02 | 4.15 | 4.11 | 4.20 | 4.34 | 4.49 | 4.38 | 4.47 | 4.62 | 4.78 | 4.61 | 4.71 | 4.87 | 5.04 | 4.81 | 4.92 | 5.08 | 5.26 | 4.98 | 5.09 | 5.27 | 5.45 |
| | Amps | 13.5 | 13.9 | 14.4 | 14.9 | 14.7 | 15.1 | 15.6 | 16.2 | 16.1 | 16.5 | 17.1 | 17.7 | 17.2 | 17.7 | 18.3 | 19.0 | 20.2 | 20.8 | 21.5 | 22.3 | 21.4 | 22.0 | 22.7 | 23.6 |
| | HI PR | 236 | 254 | 258 | 263 | 259 | 279 | 283 | 289 | 304 | 327 | 331 | 339 | 346 | 372 | 377 | 386 | 389 | 419 | 424 | 434 | 450 | 484 | 490 | 501 |
| Lo PR | 113 | 116 | 127 | 135 | 116 | 120 | 131 | 139 | 120 | 124 | 135 | 144 | 123 | 127 | 139 | 148 | 126 | 130 | 142 | 151 | 129 | 133 | 145 | 155 | |

kW = Total system power
Amps = outdoor unit amps (comp.+fan)

Shaded area reflects AHRI (TV) conditions

IDB = Entering Indoor Dry Bulb Temperature
High and low pressures are measured at the liquid and suction service valves.

| OUTDOOR UNIT | INDOOR UNITS | | COOLING RATINGS | | | | CFM | AHRI # |
|------------------|---------------------------------|----------------|--------------------|--------------------|-------------------|------------------|---------|---------|
| | COILS/AIR HANDLERS | FURNACES | TOTAL ¹ | SENS. ¹ | SEER ² | EER ³ | | |
| DSXC18 0361A* | AVPTC42D14A* | | 35,000 | 26,600 | 17.0 | 13.0 | 1,280 | 5924367 |
| | AVPTC48C14A* | | 34,000 | 25,800 | 16.0 | 12.5 | 1,100 | 7079242 |
| | AVPTC48D14A* | | 36,000 | 27,400 | 17.5 | 13.0 | 1,200 | 5924368 |
| | CA*F3743*6D*+EEP+TXV | | 35,000 | 26,600 | 15.0 | 12.5 | 1,250 | 5357210 |
| | CA*F3743*6D*+MBVC1600**-1A*+TXV | | 35,000 | 26,600 | 18.0 | 13.0 | 1,200 | 4415028 |
| | CA*F3743*6D*+MBVC2000**-1A*+TXV | | 35,000 | 26,600 | 18.0 | 13.0 | 1,200 | 4415029 |
| | CA*F3743*6D*+TXV | G*VC80604B*B* | 35,000 | 26,600 | 17.0 | 13.0 | 1,220 | 5038845 |
| | CA*F3743*6D*+TXV | G*VC80805C*B* | 35,000 | 26,600 | 17.0 | 13.0 | 1,190 | 5038938 |
| | CA*F3743*6D*+TXV | A*VC80805C*B* | 35,000 | 26,600 | 17.0 | 13.0 | 1,190 | 5038941 |
| | CA*F3743*6D*+TXV | A*VC80604B*B* | 35,000 | 26,600 | 17.0 | 13.0 | 1,220 | 5038969 |
| | CA*F3743*6D*+TXV | ADVC80805C*B* | 35,000 | 26,600 | 17.0 | 13.0 | 1,190 | 5039119 |
| | CA*F3743*6D*+TXV | A*VC81005C*B* | 35,000 | 26,600 | 17.0 | 13.0 | 1,210 | 6497749 |
| | CA*F3743*6D*+TXV | ADVC81005C*B* | 35,000 | 26,600 | 17.0 | 13.0 | 1,230 | 6497757 |
| | CA*F3743*6D*+TXV | G*VC81005C*B* | 35,000 | 26,600 | 17.0 | 13.0 | 1,210 | 6497758 |
| | CA*F3743*6D*+TXV | G*VC960403BNA* | 33,600 | 25,600 | 16.0 | 13.0 | 1,075 | 7356522 |
| | CA*F3743*6D*+TXV | G*VC960603BNA* | 33,600 | 25,600 | 16.0 | 13.0 | 1,075 | 7356527 |
| | CA*F3743*6D*+TXV | G*VC960803BNA* | 33,600 | 25,600 | 16.0 | 13.0 | 1,100 | 7356532 |
| | CA*F3743*6D*+TXV | G*VM970603BNA* | 33,600 | 25,600 | 16.0 | 13.0 | 1,075 | 7356567 |
| | CA*F3743*6D*+TXV | G*VM970803BNA* | 33,600 | 25,600 | 16.0 | 13.0 | 1,100 | 7356572 |
| | CA*F3743*6D*+TXV | A*VC960403BNA* | 33,600 | 25,600 | 16.0 | 13.0 | 1,075 | 7356607 |
| | CA*F3743*6D*+TXV | A*VC960603BNA* | 33,600 | 25,600 | 16.0 | 13.0 | 1,075 | 7356612 |
| | CA*F3743*6D*+TXV | A*VC960803BNA* | 33,600 | 25,600 | 16.0 | 13.0 | 1,100 | 7356617 |
| | CA*F3743*6D*+TXV | A*VM970603BNA* | 33,600 | 25,600 | 16.0 | 13.0 | 1,075 | 7356652 |
| | CA*F3743*6D*+TXV | A*VM970803BNA* | 33,600 | 25,600 | 16.0 | 13.0 | 1,100 | 7356657 |
| | CA*F3743*6D*+TXV | G*VC960804CNA* | 34,400 | 26,200 | 17.0 | 13.0 | 1,190 | 7356692 |
| | CA*F3743*6D*+TXV | G*VC961005CNA* | 34,400 | 26,200 | 17.0 | 13.0 | 1,175 | 7356693 |
| | CA*F3743*6D*+TXV | G*VC961205DNA* | 34,600 | 26,200 | 17.0 | 13.0 | 1,150 | 7356694 |
| | CA*F3743*6D*+TXV | G*VM970804CNA* | 34,400 | 26,200 | 17.0 | 13.0 | 1,190 | 7356699 |
| | CA*F3743*6D*+TXV | G*VM971005CNA* | 34,400 | 26,200 | 17.0 | 13.0 | 1,175 | 7356700 |
| | CA*F3743*6D*+TXV | G*VM971205DNA* | 34,600 | 26,200 | 17.0 | 13.0 | 1,150 | 7356701 |
| | CA*F3743*6D*+TXV | A*VC960804CNA* | 34,400 | 26,200 | 17.0 | 13.0 | 1,190 | 7356706 |
| | CA*F3743*6D*+TXV | A*VC961005CNA* | 34,400 | 26,200 | 17.0 | 13.0 | 1,175 | 7356707 |
| | CA*F3743*6D*+TXV | A*VC961205DNA* | 34,600 | 26,200 | 17.0 | 13.0 | 1,150 | 7356708 |
| | CA*F3743*6D*+TXV | A*VM970804CNA* | 34,400 | 26,200 | 17.0 | 13.0 | 1,190 | 7356713 |
| | CA*F3743*6D*+TXV | A*VM971005CNA* | 34,400 | 26,200 | 17.0 | 13.0 | 1,175 | 7356714 |
| | CA*F3743*6D*+TXV | A*VM971205DNA* | 34,600 | 26,200 | 17.0 | 13.0 | 1,150 | 7356715 |
| | CA*F3743*6D*+TXV | G*EC960603BNA* | 34,000 | 25,800 | 16.0 | 13.0 | 1,150 | 7366136 |
| | CA*F3743*6D*+TXV | G*EC960803BNA* | 34,000 | 25,800 | 16.0 | 12.5 | 1,150 | 7366140 |
| | CA*F3743*6D*+TXV | G*EC961004CNA* | 34,000 | 25,800 | 17.0 | 13.0 | 1,150 | 7366144 |
| | CA*F3743*6D*+TXV | A*EC960603BNA* | 34,000 | 25,800 | 16.0 | 13.0 | 1,150 | 7366157 |
| | CA*F3743*6D*+TXV | A*EC960803BNA* | 34,000 | 25,800 | 16.0 | 12.5 | 1,150 | 7366161 |
| | CA*F3743*6D*+TXV | A*EC961004CNA* | 34,000 | 25,800 | 17.0 | 13.0 | 1,150 | 7366165 |
| | CA*F4860*6D*+MBVC2000**-1A*+TXV | | 36,000 | 27,400 | 19.0 | 13.5 | 1,250 | 6497759 |
| | CA*F4961*6D*+EEP+TXV | | 36,000 | 27,400 | 15.0 | 12.5 | 1,250 | 5357211 |
| | CA*F4961*6D*+MBVC1600**-1A*+TXV | | 36,000 | 27,400 | 17.5 | 13.0 | 1,200 | 4431665 |
| | CA*F4961*6D*+MBVC2000**-1A*+TXV | | 36,000 | 27,400 | 19.0 | 13.5 | 1,250 | 4431666 |
| | CA*F4961*6D*+TXV | G*VC80805C*B* | 36,000 | 27,400 | 18.0 | 13.7 | 1,190 | 5038816 |
| CA*F4961*6D*+TXV | A*VC80604B*B* | 36,000 | 27,400 | 17.5 | 13.2 | 1,220 | 5038818 | |
| CA*F4961*6D*+TXV | A*VC80805C*B* | 36,000 | 27,400 | 18.0 | 13.7 | 1,190 | 5038942 | |
| CA*F4961*6D*+TXV | ADVC80805C*B* | 36,000 | 27,400 | 18.0 | 13.7 | 1,190 | 5038968 | |
| CA*F4961*6D*+TXV | G*VC80604B*B* | 36,000 | 27,400 | 17.5 | 13.2 | 1,220 | 5039228 | |
| CA*F4961*6D*+TXV | A*VC81005C*B* | 36,000 | 27,400 | 18.0 | 13.7 | 1,210 | 6497764 | |
| CA*F4961*6D*+TXV | ADVC81005C*B* | 36,000 | 27,400 | 18.0 | 13.7 | 1,230 | 6497774 | |
| CA*F4961*6D*+TXV | G*VC81005C*B* | 36,000 | 27,400 | 18.0 | 13.7 | 1,210 | 6497775 | |
| CA*F4961*6D*+TXV | G*VC960403BNA* | 34,000 | 25,800 | 16.5 | 13.0 | 1,075 | 7356523 | |

See Notes on Page 21.

| OUTDOOR UNIT | INDOOR UNITS | | COOLING RATINGS | | | | CFM | AHRI # |
|-----------------------------|--------------------|----------------|--------------------|--------------------|-------------------|------------------|---------|---------|
| | COILS/AIR HANDLERS | FURNACES | TOTAL ¹ | SENS. ¹ | SEER ² | EER ³ | | |
| DSXC18 0361A* (cont.) | CA*F4961*6D*+TXV | G*VC960603BNA* | 34,000 | 25,800 | 16.5 | 13.0 | 1,075 | 7356528 |
| | CA*F4961*6D*+TXV | G*VC960803BNA* | 34,000 | 25,800 | 16.5 | 13.0 | 1,100 | 7356533 |
| | CA*F4961*6D*+TXV | G*VC960804CNA* | 34,600 | 26,200 | 17.5 | 13.0 | 1,190 | 7356537 |
| | CA*F4961*6D*+TXV | G*VC961005CNA* | 34,600 | 26,200 | 17.5 | 13.0 | 1,175 | 7356542 |
| | CA*F4961*6D*+TXV | G*VM970603BNA* | 34,000 | 25,800 | 16.5 | 13.0 | 1,075 | 7356568 |
| | CA*F4961*6D*+TXV | G*VM970803BNA* | 34,000 | 25,800 | 16.5 | 13.0 | 1,100 | 7356573 |
| | CA*F4961*6D*+TXV | G*VM970804CNA* | 34,600 | 26,200 | 17.5 | 13.0 | 1,190 | 7356577 |
| | CA*F4961*6D*+TXV | G*VM971005CNA* | 34,600 | 26,200 | 17.5 | 13.0 | 1,175 | 7356582 |
| | CA*F4961*6D*+TXV | A*VC960403BNA* | 34,000 | 25,800 | 16.5 | 13.0 | 1,075 | 7356608 |
| | CA*F4961*6D*+TXV | A*VC960603BNA* | 34,000 | 25,800 | 16.5 | 13.0 | 1,075 | 7356613 |
| | CA*F4961*6D*+TXV | A*VC960803BNA* | 34,000 | 25,800 | 16.5 | 13.0 | 1,100 | 7356618 |
| | CA*F4961*6D*+TXV | A*VC960804CNA* | 34,600 | 26,200 | 17.5 | 13.0 | 1,190 | 7356622 |
| | CA*F4961*6D*+TXV | A*VC961005CNA* | 34,600 | 26,200 | 17.5 | 13.0 | 1,175 | 7356627 |
| | CA*F4961*6D*+TXV | A*VM970603BNA* | 34,000 | 25,800 | 16.5 | 13.0 | 1,075 | 7356653 |
| | CA*F4961*6D*+TXV | A*VM970803BNA* | 34,000 | 25,800 | 16.5 | 13.0 | 1,100 | 7356658 |
| | CA*F4961*6D*+TXV | A*VM970804CNA* | 34,600 | 26,200 | 17.5 | 13.0 | 1,190 | 7356662 |
| | CA*F4961*6D*+TXV | A*VM971005CNA* | 34,600 | 26,200 | 17.5 | 13.0 | 1,175 | 7356667 |
| | CA*F4961*6D*+TXV | G*VC961205DNA* | 34,800 | 26,400 | 17.5 | 13.0 | 1,150 | 7356695 |
| | CA*F4961*6D*+TXV | G*VM971205DNA* | 34,800 | 26,400 | 17.5 | 13.0 | 1,150 | 7356702 |
| | CA*F4961*6D*+TXV | A*VC961205DNA* | 34,800 | 26,400 | 17.5 | 13.0 | 1,150 | 7356709 |
| | CA*F4961*6D*+TXV | A*VM971205DNA* | 34,800 | 26,400 | 17.5 | 13.0 | 1,150 | 7356716 |
| | CA*F4961*6D*+TXV | G*EC960603BNA* | 35,000 | 26,600 | 17.0 | 13.0 | 1,150 | 7366137 |
| | CA*F4961*6D*+TXV | G*EC960803BNA* | 35,000 | 26,600 | 17.0 | 12.5 | 1,150 | 7366141 |
| | CA*F4961*6D*+TXV | G*EC961004CNA* | 35,000 | 26,600 | 17.5 | 13.0 | 1,150 | 7366145 |
| | CA*F4961*6D*+TXV | A*EC960603BNA* | 35,000 | 26,600 | 17.0 | 13.0 | 1,150 | 7366158 |
| | CA*F4961*6D*+TXV | A*EC960803BNA* | 35,000 | 26,600 | 17.0 | 12.5 | 1,150 | 7366162 |
| | CA*F4961*6D*+TXV | A*EC961004CNA* | 35,000 | 26,600 | 17.5 | 13.0 | 1,150 | 7366166 |
| | CAPT4961*4A* | G*VC960403BNA* | 34,000 | 25,800 | 16.5 | 13.0 | 1,075 | 7356524 |
| | CAPT4961*4A* | G*VC960603BNA* | 34,000 | 25,800 | 16.5 | 13.0 | 1,075 | 7356529 |
| | CAPT4961*4A* | G*VC960803BNA* | 34,000 | 25,800 | 16.5 | 13.0 | 1,100 | 7356534 |
| | CAPT4961*4A* | G*VC960804CNA* | 34,600 | 26,200 | 17.0 | 13.0 | 1,190 | 7356538 |
| | CAPT4961*4A* | G*VC961005CNA* | 34,600 | 26,200 | 17.0 | 13.0 | 1,175 | 7356543 |
| | CAPT4961*4A* | G*VM970603BNA* | 34,000 | 25,800 | 16.5 | 13.0 | 1,075 | 7356569 |
| | CAPT4961*4A* | G*VM970803BNA* | 34,000 | 25,800 | 16.5 | 13.0 | 1,100 | 7356574 |
| | CAPT4961*4A* | G*VM970804CNA* | 34,600 | 26,200 | 17.0 | 13.0 | 1,190 | 7356578 |
| | CAPT4961*4A* | G*VM971005CNA* | 34,600 | 26,200 | 17.0 | 13.0 | 1,175 | 7356583 |
| | CAPT4961*4A* | A*VC960403BNA* | 34,000 | 25,800 | 16.5 | 13.0 | 1,075 | 7356609 |
| | CAPT4961*4A* | A*VC960603BNA* | 34,000 | 25,800 | 16.5 | 13.0 | 1,075 | 7356614 |
| | CAPT4961*4A* | A*VC960803BNA* | 34,000 | 25,800 | 16.5 | 13.0 | 1,100 | 7356619 |
| | CAPT4961*4A* | A*VC960804CNA* | 34,600 | 26,200 | 17.0 | 13.0 | 1,190 | 7356623 |
| | CAPT4961*4A* | A*VC961005CNA* | 34,600 | 26,200 | 17.0 | 13.0 | 1,175 | 7356628 |
| | CAPT4961*4A* | A*VM970603BNA* | 34,000 | 25,800 | 16.5 | 13.0 | 1,075 | 7356654 |
| | CAPT4961*4A* | A*VM970803BNA* | 34,000 | 25,800 | 16.5 | 13.0 | 1,100 | 7356659 |
| | CAPT4961*4A* | A*VM970804CNA* | 34,600 | 26,200 | 17.0 | 13.0 | 1,190 | 7356663 |
| | CAPT4961*4A* | A*VM971005CNA* | 34,600 | 26,200 | 17.0 | 13.0 | 1,175 | 7356668 |
| | CAPT4961*4A* | G*VC961205DNA* | 34,800 | 26,400 | 17.0 | 13.0 | 1,150 | 7356696 |
| | CAPT4961*4A* | G*VM971205DNA* | 34,800 | 26,400 | 17.0 | 13.0 | 1,150 | 7356703 |
| | CAPT4961*4A* | A*VC961205DNA* | 34,800 | 26,400 | 17.0 | 13.0 | 1,150 | 7356710 |
| CAPT4961*4A* | A*VM971205DNA* | 34,800 | 26,400 | 17.0 | 13.0 | 1,150 | 7356717 | |
| CAPT4961*4A* | G*EC960603BNA* | 35,000 | 26,600 | 17.0 | 13.0 | 1,150 | 7366138 | |
| CAPT4961*4A* | G*EC960803BNA* | 35,000 | 26,600 | 17.0 | 12.5 | 1,150 | 7366142 | |
| CAPT4961*4A* | G*EC961004CNA* | 35,000 | 26,600 | 17.0 | 13.0 | 1,150 | 7366146 | |
| CAPT4961*4A* | A*EC960603BNA* | 35,000 | 26,600 | 17.0 | 13.0 | 1,150 | 7366159 | |
| CAPT4961*4A* | A*EC960803BNA* | 35,000 | 26,600 | 17.0 | 12.5 | 1,150 | 7366163 | |
| CAPT4961*4A* | A*EC961004CNA* | 35,000 | 26,600 | 17.0 | 13.0 | 1,150 | 7366167 | |

See Notes on Page 21.

| OUTDOOR UNIT | INDOOR UNITS | | COOLING RATINGS | | | | CFM | AHRI # |
|-----------------------------|---------------------------------|----------------|--------------------|--------------------|-------------------|------------------|---------|---------|
| | COILS/AIR HANDLERS | FURNACES | TOTAL ¹ | SENS. ¹ | SEER ² | EER ³ | | |
| DSXC18 0361A* (cont.) | CHPF3642C6C*+MBVC1600**-1A*+TXV | | 35,000 | 26,600 | 18.0 | 13.0 | 1,250 | 3654252 |
| | CHPF3642D6C*+MBVC2000**-1A*+TXV | | 35,000 | 26,600 | 18.0 | 13.0 | 1,250 | 3654256 |
| | CHPF3743C6B*+MBVC1600**-1A*+TXV | | 35,000 | 26,600 | 18.0 | 13.0 | 1,250 | 3654262 |
| | CHPF3743C6B*+TXV | A*VC80805C*B* | 35,000 | 26,600 | 17.0 | 13.0 | 1,190 | 5038819 |
| | CHPF3743C6B*+TXV | G*VC80805C*B* | 35,000 | 26,600 | 17.0 | 13.0 | 1,190 | 5039016 |
| | CHPF3743C6B*+TXV | A*VC80604B*B* | 35,000 | 26,600 | 17.0 | 13.0 | 1,220 | 5039122 |
| | CHPF3743C6B*+TXV | G*VC80604B*B* | 35,000 | 26,600 | 17.0 | 13.0 | 1,220 | 5039229 |
| | CHPF3743C6B*+TXV | A*VC81005C*B* | 35,000 | 26,600 | 17.0 | 13.0 | 1,210 | 6497784 |
| | CHPF3743C6B*+TXV | G*VC81005C*B* | 35,000 | 26,600 | 17.0 | 13.0 | 1,210 | 6497795 |
| | CHPF3743C6B*+TXV | G*VC960403BNA* | 34,000 | 25,800 | 16.5 | 13.0 | 1,075 | 7356525 |
| | CHPF3743C6B*+TXV | G*VC960603BNA* | 34,000 | 25,800 | 16.5 | 13.0 | 1,075 | 7356530 |
| | CHPF3743C6B*+TXV | G*VC960803BNA* | 34,000 | 25,800 | 16.5 | 13.0 | 1,100 | 7356535 |
| | CHPF3743C6B*+TXV | G*VC960804CNA* | 34,600 | 26,200 | 17.0 | 13.0 | 1,190 | 7356539 |
| | CHPF3743C6B*+TXV | G*VC961005CNA* | 34,600 | 26,200 | 17.0 | 13.0 | 1,175 | 7356544 |
| | CHPF3743C6B*+TXV | G*VM970603BNA* | 34,000 | 25,800 | 16.5 | 13.0 | 1,075 | 7356570 |
| | CHPF3743C6B*+TXV | G*VM970803BNA* | 34,000 | 25,800 | 16.5 | 13.0 | 1,100 | 7356575 |
| | CHPF3743C6B*+TXV | G*VM970804CNA* | 34,600 | 26,200 | 17.0 | 13.0 | 1,190 | 7356579 |
| | CHPF3743C6B*+TXV | G*VM971005CNA* | 34,600 | 26,200 | 17.0 | 13.0 | 1,175 | 7356584 |
| | CHPF3743C6B*+TXV | A*VC960403BNA* | 34,000 | 25,800 | 16.5 | 13.0 | 1,075 | 7356610 |
| | CHPF3743C6B*+TXV | A*VC960603BNA* | 34,000 | 25,800 | 16.5 | 13.0 | 1,075 | 7356615 |
| | CHPF3743C6B*+TXV | A*VC960803BNA* | 34,000 | 25,800 | 16.5 | 13.0 | 1,100 | 7356620 |
| | CHPF3743C6B*+TXV | A*VC960804CNA* | 34,600 | 26,200 | 17.0 | 13.0 | 1,190 | 7356624 |
| | CHPF3743C6B*+TXV | A*VC961005CNA* | 34,600 | 26,200 | 17.0 | 13.0 | 1,175 | 7356629 |
| | CHPF3743C6B*+TXV | A*VM970603BNA* | 34,000 | 25,800 | 16.5 | 13.0 | 1,075 | 7356655 |
| | CHPF3743C6B*+TXV | A*VM970803BNA* | 34,000 | 25,800 | 16.5 | 13.0 | 1,100 | 7356660 |
| | CHPF3743C6B*+TXV | A*VM970804CNA* | 34,600 | 26,200 | 17.0 | 13.0 | 1,190 | 7356664 |
| | CHPF3743C6B*+TXV | A*VM971005CNA* | 34,600 | 26,200 | 17.0 | 13.0 | 1,175 | 7356669 |
| | CHPF3743C6B*+TXV | G*EC960603BNA* | 34,000 | 25,800 | 16.5 | 13.0 | 1,150 | 7366139 |
| | CHPF3743C6B*+TXV | G*EC960803BNA* | 34,000 | 25,800 | 16.5 | 12.5 | 1,150 | 7366143 |
| | CHPF3743C6B*+TXV | G*EC961004CNA* | 34,000 | 25,800 | 17.0 | 12.5 | 1,150 | 7366147 |
| | CHPF3743C6B*+TXV | A*EC960603BNA* | 34,000 | 25,800 | 16.5 | 13.0 | 1,150 | 7366160 |
| | CHPF3743C6B*+TXV | A*EC960803BNA* | 34,000 | 25,800 | 16.5 | 12.5 | 1,150 | 7366164 |
| | CHPF3743C6B*+TXV | A*EC961004CNA* | 34,000 | 25,800 | 17.0 | 12.5 | 1,150 | 7366168 |
| | CHPF3743D6B*+MBVC2000**-1A*+TXV | | 35,000 | 26,600 | 18.0 | 13.0 | 1,250 | 3654277 |
| | CHPF3743D6B*+TXV | G*VC80604B*B* | 35,000 | 26,600 | 17.0 | 13.0 | 1,220 | 5038939 |
| | CHPF3743D6B*+TXV | G*VC80805C*B* | 35,000 | 26,600 | 17.0 | 13.0 | 1,190 | 5038940 |
| | CHPF3743D6B*+TXV | A*VC80604B*B* | 35,000 | 26,600 | 17.0 | 13.0 | 1,220 | 5038943 |
| | CHPF3743D6B*+TXV | A*VC80805C*B* | 35,000 | 26,600 | 17.0 | 13.0 | 1,190 | 5039108 |
| | CHPF3743D6B*+TXV | A*VC81005C*B* | 35,000 | 26,600 | 17.0 | 13.0 | 1,210 | 6497796 |
| | CHPF3743D6B*+TXV | G*VC81005C*B* | 35,000 | 26,600 | 17.0 | 13.0 | 1,210 | 6497807 |
| | CHPF4860D6D*+EEP+TXV | | 36,000 | 27,400 | 15.0 | 12.5 | 1,250 | 5357212 |
| | CHPF4860D6D*+MBVC2000**-1A*+TXV | | 35,000 | 26,600 | 18.3 | 13.0 | 1,250 | 3654297 |
| | CHPF4860D6D*+TXV | G*VC80604B*B* | 36,000 | 27,400 | 17.5 | 13.2 | 1,220 | 5038846 |
| | CHPF4860D6D*+TXV | A*VC80805C*B* | 36,000 | 27,400 | 18.0 | 13.7 | 1,190 | 5038970 |
| | CHPF4860D6D*+TXV | A*VC80604B*B* | 36,000 | 27,400 | 17.5 | 13.2 | 1,220 | 5039017 |
| | CHPF4860D6D*+TXV | G*VC80805C*B* | 36,000 | 27,400 | 18.0 | 13.7 | 1,190 | 5039107 |
| | CHPF4860D6D*+TXV | A*VC81005C*B* | 36,000 | 27,400 | 18.0 | 13.7 | 1,210 | 6497808 |
| | CHPF4860D6D*+TXV | G*VC81005C*B* | 36,000 | 27,400 | 18.0 | 13.7 | 1,210 | 6497819 |
| CHPF4860D6D*+TXV | G*VC960804CNA* | 34,600 | 26,200 | 17.5 | 13.0 | 1,190 | 7356540 | |
| CHPF4860D6D*+TXV | G*VC961005CNA* | 34,600 | 26,200 | 17.5 | 13.0 | 1,175 | 7356545 | |
| CHPF4860D6D*+TXV | G*VM970804CNA* | 34,600 | 26,200 | 17.5 | 13.0 | 1,190 | 7356580 | |
| CHPF4860D6D*+TXV | G*VM971005CNA* | 34,600 | 26,200 | 17.5 | 13.0 | 1,175 | 7356585 | |
| CHPF4860D6D*+TXV | A*VC960804CNA* | 34,600 | 26,200 | 17.5 | 13.0 | 1,190 | 7356625 | |
| CHPF4860D6D*+TXV | A*VC961005CNA* | 34,600 | 26,200 | 17.5 | 13.0 | 1,175 | 7356630 | |
| CHPF4860D6D*+TXV | A*VM970804CNA* | 34,600 | 26,200 | 17.5 | 13.0 | 1,190 | 7356665 | |

See Notes on Page 21.

| OUTDOOR UNIT | INDOOR UNITS | | COOLING RATINGS | | | | CFM | AHRI # |
|-----------------------------|---------------------------------|----------------|--------------------|--------------------|-------------------|------------------|---------|---------|
| | COILS/AIR HANDLERS | FURNACES | TOTAL ¹ | SENS. ¹ | SEER ² | EER ³ | | |
| DSXC18 0361A* (cont.) | CHPF4860D6D*+TXV | A*VM971005CNA* | 34,600 | 26,200 | 17.5 | 13.0 | 1,175 | 7356670 |
| | CHPF4860D6D*+TXV | G*VC961205DNA* | 34,800 | 26,400 | 17.5 | 13.0 | 1,150 | 7356697 |
| | CHPF4860D6D*+TXV | G*VM971205DNA* | 34,800 | 26,400 | 17.5 | 13.0 | 1,150 | 7356704 |
| | CHPF4860D6D*+TXV | A*VC961205DNA* | 34,800 | 26,400 | 17.5 | 13.0 | 1,150 | 7356711 |
| | CHPF4860D6D*+TXV | A*VM971205DNA* | 34,800 | 26,400 | 17.5 | 13.0 | 1,150 | 7356718 |
| | CSCF3642N6D*+TXV | G*VC960403BNA* | 34,000 | 25,800 | 16.5 | 13.0 | 1,075 | 7356526 |
| | CSCF3642N6D*+TXV | G*VC960603BNA* | 34,000 | 25,800 | 16.5 | 13.0 | 1,075 | 7356531 |
| | CSCF3642N6D*+TXV | G*VC960803BNA* | 34,000 | 25,800 | 16.5 | 13.0 | 1,100 | 7356536 |
| | CSCF3642N6D*+TXV | G*VC960804CNA* | 34,400 | 26,200 | 17.0 | 13.0 | 1,190 | 7356541 |
| | CSCF3642N6D*+TXV | G*VC961005CNA* | 34,400 | 26,200 | 17.0 | 13.0 | 1,175 | 7356546 |
| | CSCF3642N6D*+TXV | G*VM970603BNA* | 34,000 | 25,800 | 16.5 | 13.0 | 1,075 | 7356571 |
| | CSCF3642N6D*+TXV | G*VM970803BNA* | 34,000 | 25,800 | 16.5 | 13.0 | 1,100 | 7356576 |
| | CSCF3642N6D*+TXV | G*VM970804CNA* | 34,400 | 26,200 | 17.0 | 13.0 | 1,190 | 7356581 |
| | CSCF3642N6D*+TXV | G*VM971005CNA* | 34,400 | 26,200 | 17.0 | 13.0 | 1,175 | 7356586 |
| | CSCF3642N6D*+TXV | A*VC960403BNA* | 34,000 | 25,800 | 16.5 | 13.0 | 1,075 | 7356611 |
| | CSCF3642N6D*+TXV | A*VC960603BNA* | 34,000 | 25,800 | 16.5 | 13.0 | 1,075 | 7356616 |
| | CSCF3642N6D*+TXV | A*VC960803BNA* | 34,000 | 25,800 | 16.5 | 13.0 | 1,100 | 7356621 |
| | CSCF3642N6D*+TXV | A*VC960804CNA* | 34,400 | 26,200 | 17.0 | 13.0 | 1,190 | 7356626 |
| | CSCF3642N6D*+TXV | A*VC961005CNA* | 34,400 | 26,200 | 17.0 | 13.0 | 1,175 | 7356631 |
| | CSCF3642N6D*+TXV | A*VM970603BNA* | 34,000 | 25,800 | 16.5 | 13.0 | 1,075 | 7356656 |
| | CSCF3642N6D*+TXV | A*VM970803BNA* | 34,000 | 25,800 | 16.5 | 13.0 | 1,100 | 7356661 |
| | CSCF3642N6D*+TXV | A*VM970804CNA* | 34,400 | 26,200 | 17.0 | 13.0 | 1,190 | 7356666 |
| | CSCF3642N6D*+TXV | A*VM971005CNA* | 34,400 | 26,200 | 17.0 | 13.0 | 1,175 | 7356671 |
| | CSCF4860N6D*+EEP+TXV | | 36,000 | 27,400 | 15.0 | 12.5 | 1,250 | 5357213 |
| | CSCF4860N6D*+TXV | G*VC961205DNA* | 34,600 | 26,200 | 17.0 | 13.0 | 1,150 | 7356698 |
| | CSCF4860N6D*+TXV | G*VM971205DNA* | 34,600 | 26,200 | 17.0 | 13.0 | 1,150 | 7356705 |
| | CSCF4860N6D*+TXV | A*VC961205DNA* | 34,600 | 26,200 | 17.0 | 13.0 | 1,150 | 7356712 |
| | CSCF4860N6D*+TXV | A*VM971205DNA* | 34,600 | 26,200 | 17.0 | 13.0 | 1,150 | 7356719 |
| DV48PTCC14A* | | 34,000 | 25,800 | 16.0 | 12.5 | 1,100 | 7079243 | |
| DSXC18 0481A* | AVPTC48C14A* | | 45,000 | 34,200 | 16.0 | 12.0 | 1,450 | 7079244 |
| | AVPTC48D14A* | | 47,000 | 35,800 | 17.5 | 13.0 | 1,700 | 5924369 |
| | CA*F4860*6D*+EEP+TXV | | 47,000 | 35,800 | 15.0 | 12.0 | 1,500 | 6497825 |
| | CA*F4961*6D*+EEP+TXV | | 48,000 | 36,400 | 15.5 | 12.5 | 1,500 | 5357214 |
| | CA*F4961*6D*+MBVC1600**-1A*+TXV | | 46,000 | 35,000 | 17.0 | 13.0 | 1,725 | 4431667 |
| | CA*F4961*6D*+MBVC2000**-1A*+TXV | | 47,500 | 36,200 | 18.0 | 13.25 | 1,750 | 4431668 |
| | CA*F4961*6D*+TXV | A*VC80805C*B* | 48,000 | 36,400 | 17.0 | 12.8 | 1,590 | 5038944 |
| | CA*F4961*6D*+TXV | G*VC80805C*B* | 48,000 | 36,400 | 17.0 | 12.8 | 1,590 | 5039230 |
| | CA*F4961*6D*+TXV | ADVC80805C*B* | 48,000 | 36,400 | 17.0 | 12.8 | 1,580 | 5039231 |
| | CA*F4961*6D*+TXV | A*VC81005C*B* | 48,000 | 36,400 | 17.0 | 12.2 | 1,520 | 6497826 |
| | CA*F4961*6D*+TXV | ADVC81005C*B* | 48,000 | 36,400 | 17.0 | 12.2 | 1,550 | 6497833 |
| | CA*F4961*6D*+TXV | G*VC81005C*B* | 48,000 | 36,400 | 17.0 | 12.2 | 1,520 | 6497834 |
| | CA*F4961*6D*+TXV | G*VC960804CNA* | 45,500 | 34,600 | 17.0 | 12.8 | 1,525 | 7356547 |
| | CA*F4961*6D*+TXV | G*VC961005CNA* | 45,500 | 34,600 | 17.0 | 12.8 | 1,520 | 7356551 |
| | CA*F4961*6D*+TXV | G*VC961205DNA* | 46,000 | 35,000 | 17.5 | 12.8 | 1,530 | 7356555 |
| | CA*F4961*6D*+TXV | G*VM970804CNA* | 45,500 | 34,600 | 17.0 | 12.8 | 1,525 | 7356587 |
| | CA*F4961*6D*+TXV | G*VM971005CNA* | 45,500 | 34,600 | 17.0 | 12.8 | 1,520 | 7356591 |
| | CA*F4961*6D*+TXV | G*VM971205DNA* | 46,000 | 35,000 | 17.5 | 12.8 | 1,530 | 7356595 |
| | CA*F4961*6D*+TXV | A*VC960804CNA* | 45,500 | 34,600 | 17.0 | 12.8 | 1,525 | 7356632 |
| | CA*F4961*6D*+TXV | A*VC961005CNA* | 45,500 | 34,600 | 17.0 | 12.8 | 1,520 | 7356636 |
| | CA*F4961*6D*+TXV | A*VC961205DNA* | 46,000 | 35,000 | 17.5 | 12.8 | 1,530 | 7356640 |
| | CA*F4961*6D*+TXV | A*VM970804CNA* | 45,500 | 34,600 | 17.0 | 12.8 | 1,525 | 7356672 |
| | CA*F4961*6D*+TXV | A*VM971005CNA* | 45,500 | 34,600 | 17.0 | 12.8 | 1,520 | 7356676 |
| | CA*F4961*6D*+TXV | A*VM971205DNA* | 46,000 | 35,000 | 17.5 | 12.8 | 1,530 | 7356680 |
| | CA*F4961*6D*+TXV | G*EC961004CNA* | 45,500 | 34,600 | 17.0 | 13.0 | 1,550 | 7366148 |
| | CA*F4961*6D*+TXV | G*EC961205DNA* | 45,500 | 34,600 | 17.0 | 13.0 | 1,550 | 7366151 |

See Notes on Page 21.

| OUTDOOR UNIT | INDOOR UNITS | | COOLING RATINGS | | | | CFM | AHRI # | |
|-----------------------------|---------------------------------|----------------|--------------------|--------------------|-------------------|------------------|-------|---------|---------|
| | COILS/AIR HANDLERS | FURNACES | TOTAL ¹ | SENS. ¹ | SEER ² | EER ³ | | | |
| DSXC18 0481A* (cont.) | CA*F4961*6D*+TXV | A*EC961004CNA* | 45,500 | 34,600 | 17.0 | 13.0 | 1,550 | 7366169 | |
| | CA*F4961*6D*+TXV | A*EC961205DNA* | 45,500 | 34,600 | 17.0 | 13.0 | 1,550 | 7366172 | |
| | CAPT4961*4A* | G*VC960804CNA* | 45,500 | 34,600 | 17.0 | 12.8 | 1,525 | 7356548 | |
| | CAPT4961*4A* | G*VC961005CNA* | 45,500 | 34,600 | 17.0 | 12.8 | 1,520 | 7356552 | |
| | CAPT4961*4A* | G*VC961205DNA* | 46,000 | 35,000 | 17.5 | 12.8 | 1,530 | 7356556 | |
| | CAPT4961*4A* | G*VM970804CNA* | 45,500 | 34,600 | 17.0 | 12.8 | 1,525 | 7356588 | |
| | CAPT4961*4A* | G*VM971005CNA* | 45,500 | 34,600 | 17.0 | 12.8 | 1,520 | 7356592 | |
| | CAPT4961*4A* | G*VM971205DNA* | 46,000 | 35,000 | 17.5 | 12.8 | 1,530 | 7356596 | |
| | CAPT4961*4A* | A*VC960804CNA* | 45,500 | 34,600 | 17.0 | 12.8 | 1,525 | 7356633 | |
| | CAPT4961*4A* | A*VC961005CNA* | 45,500 | 34,600 | 17.0 | 12.8 | 1,520 | 7356637 | |
| | CAPT4961*4A* | A*VC961205DNA* | 46,000 | 35,000 | 17.5 | 12.8 | 1,530 | 7356641 | |
| | CAPT4961*4A* | A*VM970804CNA* | 45,500 | 34,600 | 17.0 | 12.8 | 1,525 | 7356673 | |
| | CAPT4961*4A* | A*VM971005CNA* | 45,500 | 34,600 | 17.0 | 12.8 | 1,520 | 7356677 | |
| | CAPT4961*4A* | A*VM971205DNA* | 46,000 | 35,000 | 17.5 | 12.8 | 1,530 | 7356681 | |
| | CAPT4961*4A* | G*EC961004CNA* | 45,500 | 34,600 | 17.0 | 13.0 | 1,550 | 7366149 | |
| | CAPT4961*4A* | G*EC961205DNA* | 45,500 | 34,600 | 17.0 | 13.0 | 1,550 | 7366152 | |
| | CAPT4961*4A* | A*EC961004CNA* | 45,500 | 34,600 | 17.0 | 13.0 | 1,550 | 7366170 | |
| | CAPT4961*4A* | A*EC961205DNA* | 45,500 | 34,600 | 17.0 | 13.0 | 1,550 | 7366173 | |
| | CHPF4860D6D*+EEP+TXV | | | 48,000 | 36,400 | 15.5 | 12.5 | 1,500 | 5357215 |
| | CHPF4860D6D*+MBVC1600**-1A*+TXV | | | 46,000 | 35,000 | 17.0 | 13.0 | 1,725 | 3654393 |
| | CHPF4860D6D*+MBVC2000**-1A*+TXV | | | 47,500 | 36,200 | 18.0 | 13.25 | 1,750 | 3654394 |
| | CHPF4860D6D*+TXV | A*VC80805C*B* | | 48,000 | 36,400 | 17.0 | 12.8 | 1,590 | 5038820 |
| | CHPF4860D6D*+TXV | G*VC80805C*B* | | 48,000 | 36,400 | 17.0 | 12.8 | 1,590 | 5039018 |
| | CHPF4860D6D*+TXV | A*VC81005C*B* | | 48,000 | 36,400 | 17.0 | 12.2 | 1,520 | 6497835 |
| | CHPF4860D6D*+TXV | G*VC81005C*B* | | 48,000 | 36,400 | 17.0 | 12.2 | 1,520 | 6497843 |
| | CHPF4860D6D*+TXV | G*VC960804CNA* | | 45,500 | 34,600 | 17.0 | 12.8 | 1,525 | 7356549 |
| | CHPF4860D6D*+TXV | G*VC961005CNA* | | 45,500 | 34,600 | 17.0 | 12.8 | 1,520 | 7356553 |
| | CHPF4860D6D*+TXV | G*VC961205DNA* | | 46,000 | 35,000 | 17.5 | 12.8 | 1,530 | 7356557 |
| | CHPF4860D6D*+TXV | G*VM970804CNA* | | 45,500 | 34,600 | 17.0 | 12.8 | 1,525 | 7356589 |
| | CHPF4860D6D*+TXV | G*VM971005CNA* | | 45,500 | 34,600 | 17.0 | 12.8 | 1,520 | 7356593 |
| | CHPF4860D6D*+TXV | G*VM971205DNA* | | 46,000 | 35,000 | 17.5 | 12.8 | 1,530 | 7356597 |
| | CHPF4860D6D*+TXV | A*VC960804CNA* | | 45,500 | 34,600 | 17.0 | 12.8 | 1,525 | 7356634 |
| | CHPF4860D6D*+TXV | A*VC961005CNA* | | 45,500 | 34,600 | 17.0 | 12.8 | 1,520 | 7356638 |
| | CHPF4860D6D*+TXV | A*VC961205DNA* | | 46,000 | 35,000 | 17.5 | 12.8 | 1,530 | 7356642 |
| | CHPF4860D6D*+TXV | A*VM970804CNA* | | 45,500 | 34,600 | 17.0 | 12.8 | 1,525 | 7356674 |
| | CHPF4860D6D*+TXV | A*VM971005CNA* | | 45,500 | 34,600 | 17.0 | 12.8 | 1,520 | 7356678 |
| | CHPF4860D6D*+TXV | A*VM971205DNA* | | 46,000 | 35,000 | 17.5 | 12.8 | 1,530 | 7356682 |
| | CHPF4860D6D*+TXV | G*EC961004CNA* | | 45,500 | 34,600 | 17.0 | 13.0 | 1,550 | 7366150 |
| | CHPF4860D6D*+TXV | G*EC961205DNA* | | 45,500 | 34,600 | 17.0 | 13.0 | 1,550 | 7366153 |
| | CHPF4860D6D*+TXV | A*EC961004CNA* | | 45,500 | 34,600 | 17.0 | 13.0 | 1,550 | 7366171 |
| | CHPF4860D6D*+TXV | A*EC961205DNA* | | 45,500 | 34,600 | 17.0 | 13.0 | 1,550 | 7366174 |
| | CSCF4860N6D*+EEP+TXV | | | 48,000 | 36,400 | 15.5 | 12.5 | 1,500 | 5357216 |
| | CSCF4860N6D*+TXV | G*VC960804CNA* | | 45,000 | 34,200 | 16.5 | 12.8 | 1,525 | 7356550 |
| | CSCF4860N6D*+TXV | G*VC961005CNA* | | 45,000 | 34,200 | 16.5 | 12.8 | 1,520 | 7356554 |
| | CSCF4860N6D*+TXV | G*VC961205DNA* | | 45,500 | 34,600 | 17.0 | 12.8 | 1,530 | 7356558 |
| | CSCF4860N6D*+TXV | G*VM970804CNA* | | 45,000 | 34,200 | 16.5 | 12.8 | 1,525 | 7356590 |
| | CSCF4860N6D*+TXV | G*VM971005CNA* | | 45,000 | 34,200 | 16.5 | 12.8 | 1,520 | 7356594 |
| | CSCF4860N6D*+TXV | G*VM971205DNA* | | 45,500 | 34,600 | 17.0 | 12.8 | 1,530 | 7356598 |
| | CSCF4860N6D*+TXV | A*VC960804CNA* | | 45,000 | 34,200 | 16.5 | 12.8 | 1,525 | 7356635 |
| | CSCF4860N6D*+TXV | A*VC961005CNA* | | 45,000 | 34,200 | 16.5 | 12.8 | 1,520 | 7356639 |
| CSCF4860N6D*+TXV | A*VC961205DNA* | | 45,500 | 34,600 | 17.0 | 12.8 | 1,530 | 7356643 | |
| CSCF4860N6D*+TXV | A*VM970804CNA* | | 45,000 | 34,200 | 16.5 | 12.8 | 1,525 | 7356675 | |
| CSCF4860N6D*+TXV | A*VM971005CNA* | | 45,000 | 34,200 | 16.5 | 12.8 | 1,520 | 7356679 | |
| CSCF4860N6D*+TXV | A*VM971205DNA* | | 45,500 | 34,600 | 17.0 | 12.8 | 1,530 | 7356683 | |
| DV48PTCC14A* | | | 45,000 | 34,200 | 16.0 | 12.0 | 1,450 | 7079245 | |

See Notes on Page 21.

| OUTDOOR UNIT | INDOOR UNITS | | COOLING RATINGS | | | | CFM | AHRI # |
|------------------|---------------------------------|----------------|--------------------|--------------------|-------------------|------------------|---------|---------|
| | COILS/AIR HANDLERS | FURNACES | TOTAL ¹ | SENS. ¹ | SEER ² | EER ³ | | |
| DSXC18 0601A* | AVPTC60D14A* | | 58,000 | 42,000 | 16.0 | 11.75 | 1,780 | 5924370 |
| | CA*F4961*6D*+EEP+TXV | | 57,000 | 41,000 | 15.0 | 12.0 | 1,500 | 5357217 |
| | CA*F4961*6D*+MBVC2000**-1A*+TXV | | 58,000 | 42,000 | 17.0 | 12.0 | 2,000 | 4431669 |
| | CA*F4961*6D*+TXV | G*VC961005CNA* | 56,000 | 40,500 | 15.5 | 11.8 | 1,750 | 7356559 |
| | CA*F4961*6D*+TXV | G*VC961205DNA* | 56,000 | 40,500 | 16.0 | 11.8 | 1,600 | 7356563 |
| | CA*F4961*6D*+TXV | G*VM971005CNA* | 56,000 | 40,500 | 15.5 | 11.8 | 1,750 | 7356599 |
| | CA*F4961*6D*+TXV | G*VM971205DNA* | 56,000 | 40,500 | 16.0 | 11.8 | 1,600 | 7356603 |
| | CA*F4961*6D*+TXV | A*VC961005CNA* | 56,000 | 40,500 | 15.5 | 11.8 | 1,750 | 7356644 |
| | CA*F4961*6D*+TXV | A*VC961205DNA* | 56,000 | 40,500 | 16.0 | 11.8 | 1,600 | 7356648 |
| | CA*F4961*6D*+TXV | A*VM971005CNA* | 56,000 | 40,500 | 15.5 | 11.8 | 1,750 | 7356684 |
| | CA*F4961*6D*+TXV | A*VM971205DNA* | 56,000 | 40,500 | 16.0 | 11.8 | 1,600 | 7356688 |
| | CAPT4961*4A* | G*VC961005CNA* | 56,000 | 40,500 | 15.5 | 11.8 | 1,750 | 7356560 |
| | CAPT4961*4A* | G*VC961205DNA* | 56,000 | 40,500 | 16.0 | 11.8 | 1,600 | 7356564 |
| | CAPT4961*4A* | G*VM971005CNA* | 56,000 | 40,500 | 15.5 | 11.8 | 1,750 | 7356600 |
| | CAPT4961*4A* | G*VM971205DNA* | 56,000 | 40,500 | 16.0 | 11.8 | 1,600 | 7356604 |
| | CAPT4961*4A* | A*VC961005CNA* | 56,000 | 40,500 | 15.5 | 11.8 | 1,750 | 7356645 |
| | CAPT4961*4A* | A*VC961205DNA* | 56,000 | 40,500 | 16.0 | 11.8 | 1,600 | 7356649 |
| | CAPT4961*4A* | A*VM971005CNA* | 56,000 | 40,500 | 15.5 | 11.8 | 1,750 | 7356685 |
| | CAPT4961*4A* | A*VM971205DNA* | 56,000 | 40,500 | 16.0 | 11.8 | 1,600 | 7356689 |
| | CHPF4860D6D*+EEP+TXV | | 57,000 | 41,000 | 15.0 | 12.0 | 1,500 | 5357218 |
| | CHPF4860D6D*+MBVC2000**-1A*+TXV | | 58,000 | 42,000 | 17.0 | 12.0 | 2,000 | 3654439 |
| | CHPF4860D6D*+TXV | G*VC961005CNA* | 56,000 | 40,500 | 15.5 | 11.8 | 1,750 | 7356561 |
| | CHPF4860D6D*+TXV | G*VC961205DNA* | 56,000 | 40,500 | 16.0 | 11.8 | 1,600 | 7356565 |
| | CHPF4860D6D*+TXV | G*VM971005CNA* | 56,000 | 40,500 | 15.5 | 11.8 | 1,750 | 7356601 |
| | CHPF4860D6D*+TXV | G*VM971205DNA* | 56,000 | 40,500 | 16.0 | 11.8 | 1,600 | 7356605 |
| | CHPF4860D6D*+TXV | A*VC961005CNA* | 56,000 | 40,500 | 15.5 | 11.8 | 1,750 | 7356646 |
| | CHPF4860D6D*+TXV | A*VC961205DNA* | 56,000 | 40,500 | 16.0 | 11.8 | 1,600 | 7356650 |
| | CHPF4860D6D*+TXV | A*VM971005CNA* | 56,000 | 40,500 | 15.5 | 11.8 | 1,750 | 7356686 |
| | CHPF4860D6D*+TXV | A*VM971205DNA* | 56,000 | 40,500 | 16.0 | 11.8 | 1,600 | 7356690 |
| | CSCF4860N6D*+EEP+TXV | | 57,000 | 41,000 | 15.0 | 12.0 | 1,500 | 5357219 |
| CSCF4860N6D*+TXV | G*VC961005CNA* | 56,000 | 40,500 | 15.5 | 11.8 | 1,750 | 7356562 | |
| CSCF4860N6D*+TXV | G*VC961205DNA* | 55,500 | 40,000 | 15.5 | 11.8 | 1,600 | 7356566 | |
| CSCF4860N6D*+TXV | G*VM971005CNA* | 56,000 | 40,500 | 15.5 | 11.8 | 1,750 | 7356602 | |
| CSCF4860N6D*+TXV | G*VM971205DNA* | 55,500 | 40,000 | 15.5 | 11.8 | 1,600 | 7356606 | |
| CSCF4860N6D*+TXV | A*VC961005CNA* | 56,000 | 40,500 | 15.5 | 11.8 | 1,750 | 7356647 | |
| CSCF4860N6D*+TXV | A*VC961205DNA* | 55,500 | 40,000 | 15.5 | 11.8 | 1,600 | 7356651 | |
| CSCF4860N6D*+TXV | A*VM971005CNA* | 56,000 | 40,500 | 15.5 | 11.8 | 1,750 | 7356687 | |
| CSCF4860N6D*+TXV | A*VM971205DNA* | 55,500 | 40,000 | 15.5 | 11.8 | 1,600 | 7356691 | |

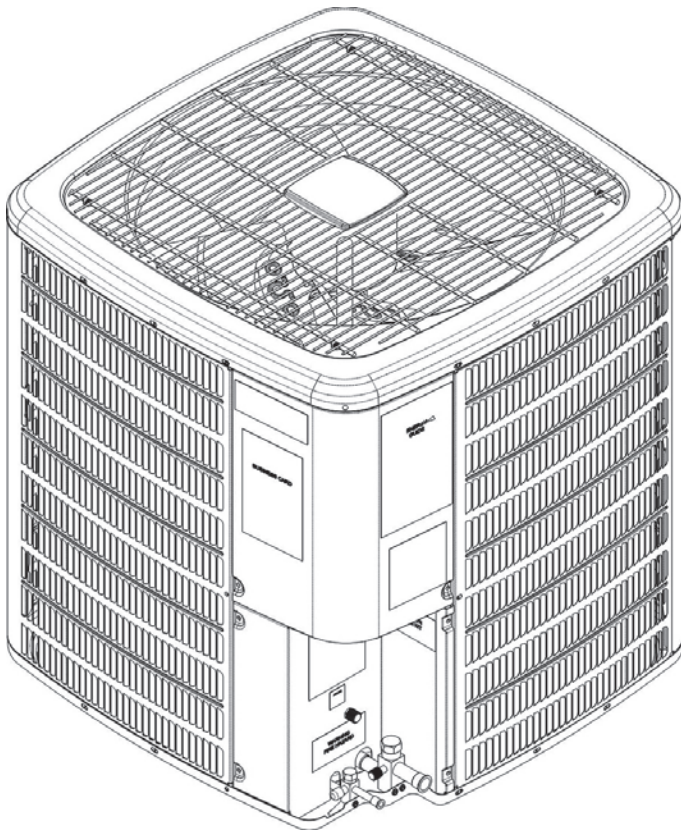
¹ BTU/h

² Seasonal Energy Efficiency Ratio; Certified per AHRI 210/240 @ 80°F/ 67°F/ 95°F

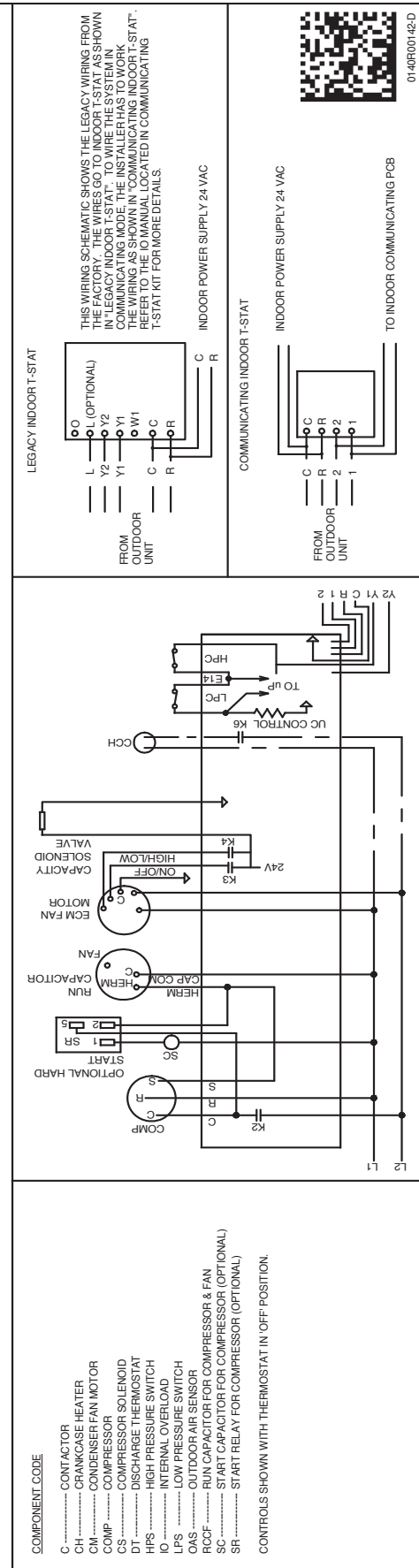
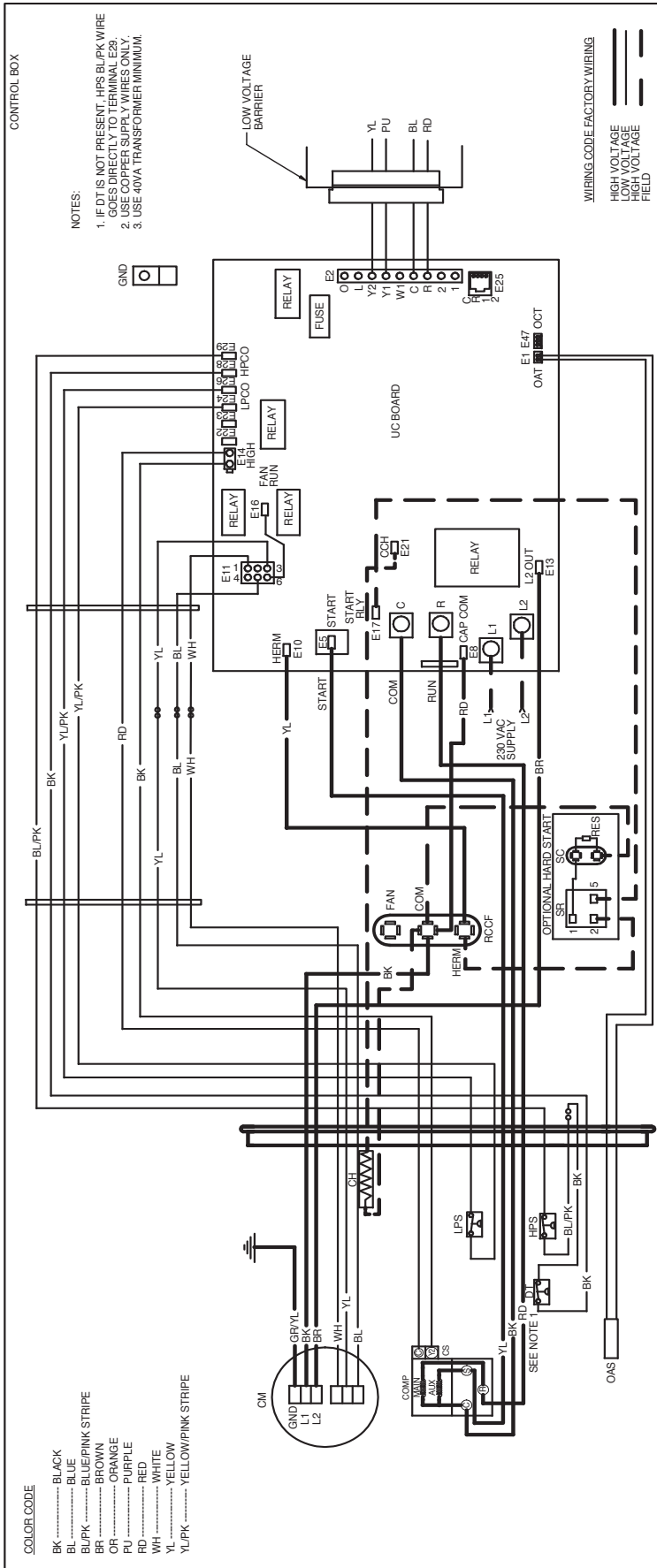
³ Energy Efficiency Ratio @ 80°F/ 67°F/ 95°F

NOTES

- Always check the S&R plate for electrical data on the unit being installed.
- When matching the outdoor unit to the indoor unit, use the piston supplied with the outdoor unit or that specified on the piston kit chart supplied with the indoor unit.
- EEP - Order from Service Dept. Part No. B13707-38 or new Solid State Board B13707-35S. Part No. B13707-38 is not interchangeable with B13707-35S. The Goodman brand gas furnace contains the EEP cooling time delay



| MODEL | W | D | H |
|--------------|-----|-----|-----|
| DSXC180361A* | 35½ | 35½ | 38¼ |
| DSXC180481A* | 35½ | 35½ | 38¼ |
| DSXC180601A* | 35½ | 35½ | 38¼ |



| MODEL | DESCRIPTION | DSXC18 036** | DSXC18 048** | DSXC18 060** |
|-----------------------|---------------------------------------|-----------------|-----------------|-----------------|
| ABK-20 | Anchor Bracket Kit ⁰ | X | X | X |
| ASC-01 | Anti-Short Cycle Kit | X | X | X |
| B1141643 ¹ | 24V Transformer | X | X | X |
| CSR-U-1 | Hard-start Kit | X | X | |
| CSR-U-2 | Hard-start Kit | | | |
| CSR-U-3 | Hard-start Kit | | | X |
| FSK01A ² | Freeze Protection Kit | X | X | X |
| LSK02A | Liquid Line Solenoid Valve | X | X | X |
| OT18-60A ³ | Outdoor Thermostat/Lockout Thermostat | X | X | X |
| TX3N4 ⁴ | TXV Kit | X | | |
| TX5N4 | TXV Kit | | X | X |

⁰ Contains 20 brackets; four brackets needed to anchor unit to pad

¹ This component is included in the CTK01AA communicating thermostat kit.

² Installed on indoor coil

³ Available in 24V legacy mode only. This feature is integrated in the communicating mode.

⁴ Condensing units and heat pumps with reciprocating compressors require the use of start-assist components when used in conjunction with an indoor coil using a non-bleed thermal expansion valve refrigerant metering device or liquid line solenoid kit. The TXV should always be sized based on the tonnage of the outdoor unit.